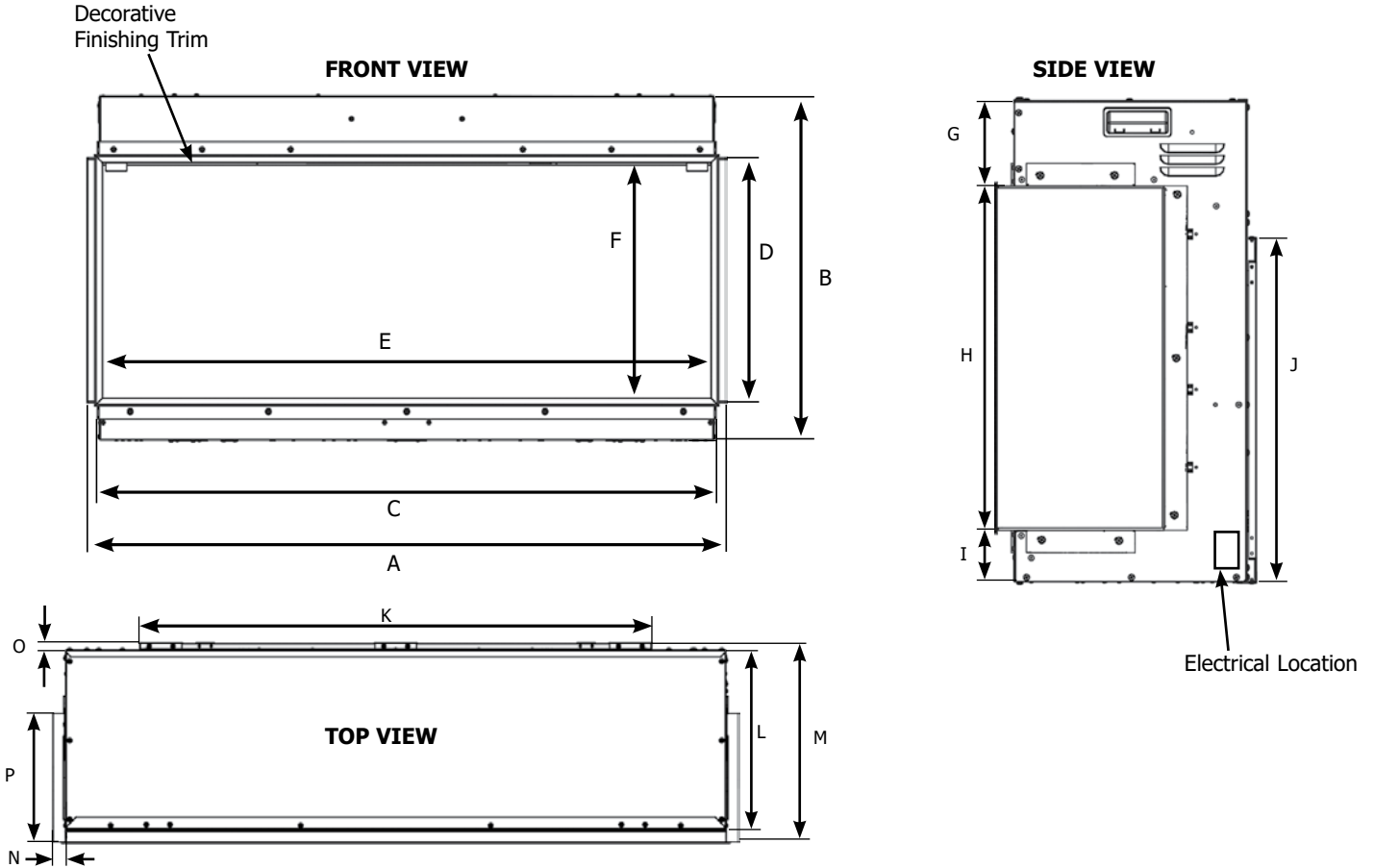


TECHNICAL SPECIFICATION

ONYX EX110
ONYX EX150
ONYX EX190


MODEL	A	B	C	D	E	F	G	H
	(inches/mm)							
Onyx EX110	45-7/16" (1154 mm)	24-3/4" (628 mm)	44" (1118 mm)	17-7/16" (443 mm)	43-5/16" (1100 mm)	16-3/4" (425 mm)	4-3/8" (111 mm)	17-3/8" (442 mm)
Onyx EX150	61-3/16" (1554 mm)	24-3/4" (628 mm)	59-3/4" (1518 mm)	17-7/16" (443 mm)	59-1/16" (1500 mm)	16-3/4" (425 mm)	4-3/8" (111 mm)	17-3/8" (442 mm)
Onyx EX190	78-15/16" (2005 mm)	24-3/4" (628 mm)	77-1/2" (1968 mm)	17-7/16" (443 mm)	76-3/4" (1950 mm)	16-3/4" (425 mm)	4-3/8" (111 mm)	17-3/8" (442 mm)

MODEL	I	J*	K*	L	M	N	O	P
	(inches/mm)							
Onyx EX110	2-5/8" (66-1/2 mm)	17-1/2" (445 mm)	33-15/16" (862 mm)	11-13/16" (300 mm)	13-1/4" (336 mm)	7/8" (22 mm)	1/2" (12 mm)	8-1/2" (216 mm)
Onyx EX150	2-5/8" (66-1/2 mm)	17-1/2" (445 mm)	50-9/16" (1284 mm)	11-13/16" (300 mm)	13-1/4" (336 mm)	7/8" (22 mm)	1/2" (12 mm)	8-1/2" (216 mm)
Onyx EX190	2-5/8" (66-1/2 mm)	17-1/2" (445 mm)	69-7/16" (1764 mm)	11-13/16" (300 mm)	13-1/4" (336 mm)	7/8" (22 mm)	1/2" (12 mm)	8-1/2" (216 mm)

*Wall Mounting Bracket