



**MUST READ BEFORE**



**FRAMING**

**IMPORTANT INFORMATION**



EST. 2004

ontario hearth ltd.

**Marquis Enclave 34**

MQZCVB34NE2/ MQZCVBG34LPE2

**FRAMING**

**DIMENSIONS**

**SPECIFICATIONS**

**HEAT RELEASE REQUIREMENTS**

**QR LINK FOR  
PDF DIGITAL COPY  
OF SPECIFICATIONS:**

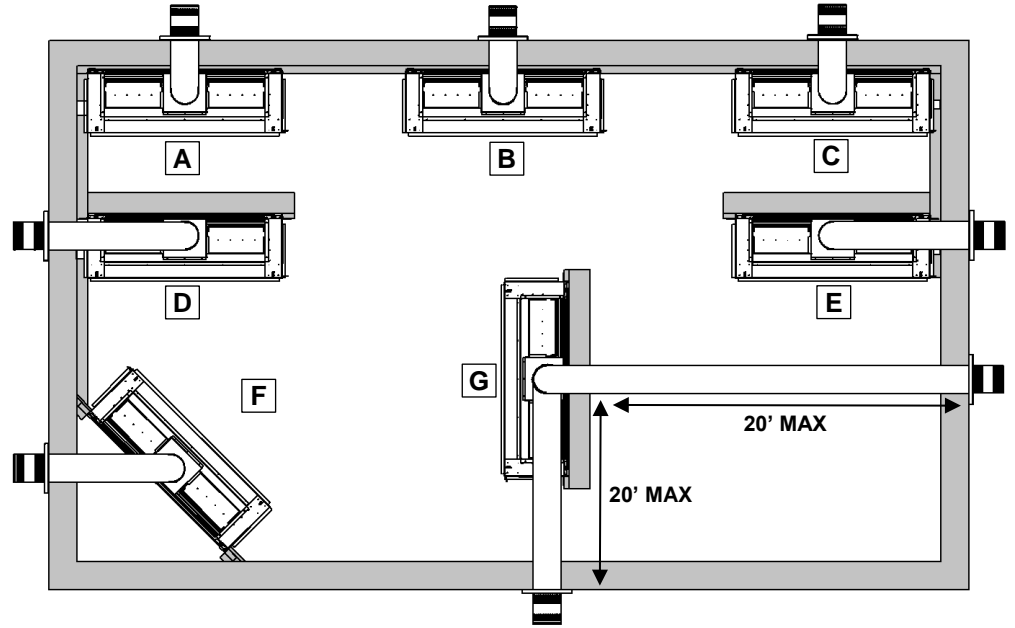
# MQZCVBG34 Bay Peninsula

# Locating Your Appliance

### LOCATION KEY:

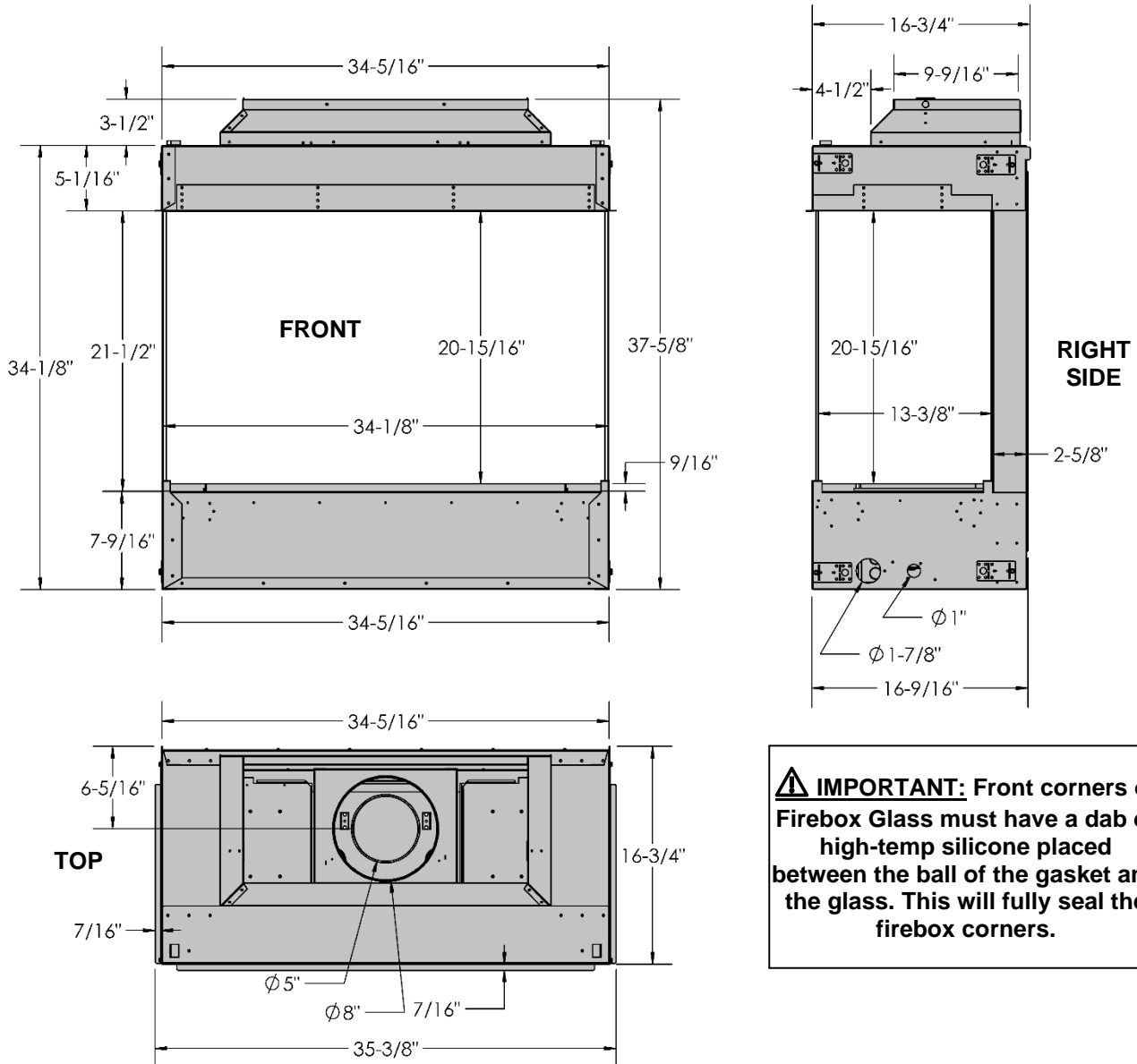
- A. Corner Kit- Left Side
- B. Flat on Wall
- C. Corner Kit- Right Side
- D. Corner Kit- Left Side
- E. Corner Kit- Right Side
- F. 45° Corner
- G. As an Island\*

\*Island installation with a top vent is possible as long as the horizontal portion of the vent system does not exceed 20 feet (6.1 m).



# MQZCVBG34 Bay Peninsula

# Fireplace Dimensions



# MQZCVBG34 -Vented Chase Requirements-

**FIREPLACE CHASE MUST BE VENTED AT THE TOP OF THE ENCLOSURE.**

- Minimum **90 square inches** free air opening for grills (V34EG & V34EGS).
- Minimum **2-1/4" Gap** at top of enclosure for 3-Sided Open Top chases, and a **3" Gap** for Corner Installations.

Chase Vent Openings **LARGER** than the required minimums **ARE** allowed and will reduce surface temperatures. Must be flush with top of enclosure.

**HEAT CANNOT BE DISCHARGED INTO THE WALLS, FLOOR, OR CEILING.** Heat must exit through the required vented chase opening near the ceiling.

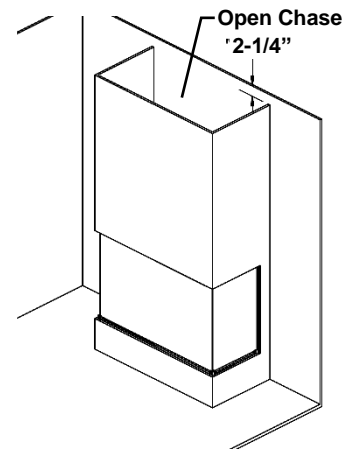
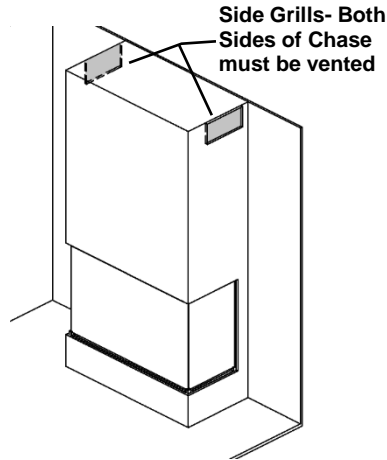
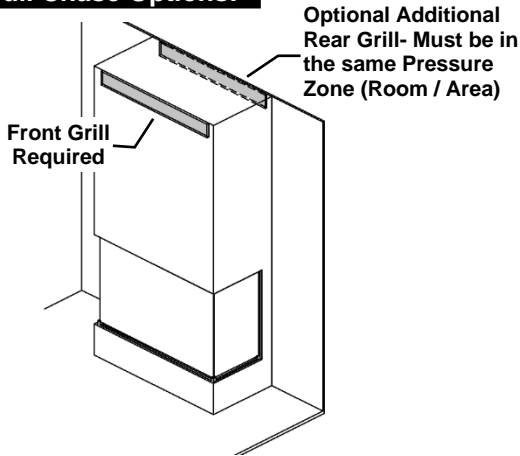
**ELECTRICAL WIRES IN CHASE MUST BE PROPERLY ATTACHED TO INSIDE WALL OF CHASE. DO NOT RUN WIRES ABOVE APPLIANCE.**

Please follow the current CSA C22.1 Canadian Electrical Code or the National Electrical Code; ANSI/NFPA 70 when installed in the United States.

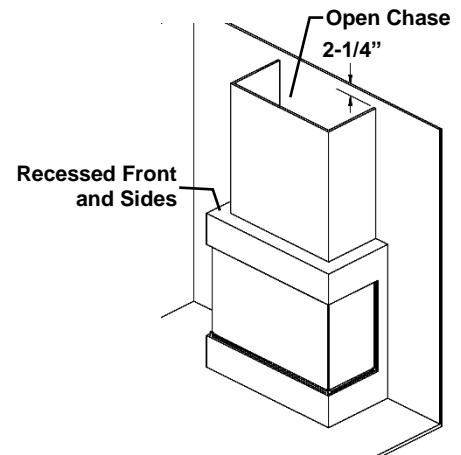
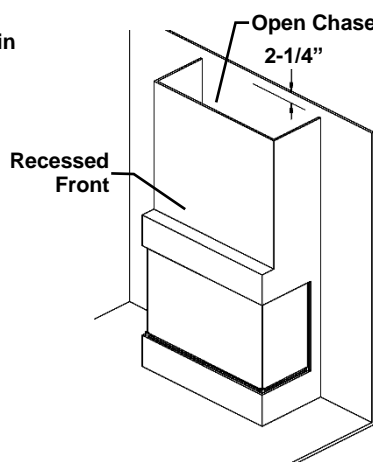
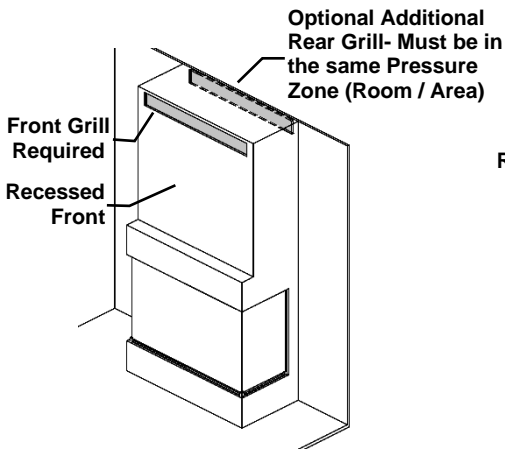
- ⚠ If using insulation in vented chase (i.e. for outside wall), wall board / drywall is required to support all insulation.
- ⚠ Vented chase must be clean and free of all debris (i.e. loose insulation, pieces of wood, etc.)

## Vented Chase Opening Options:

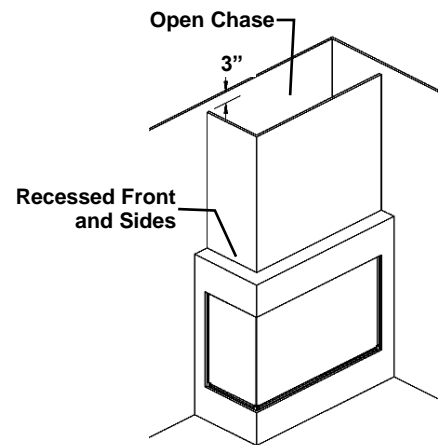
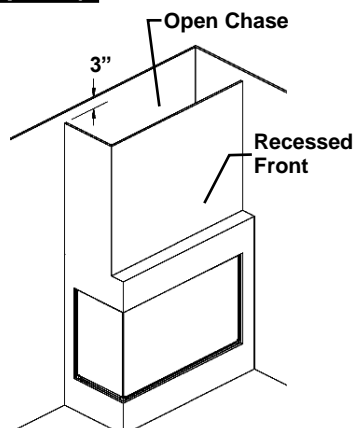
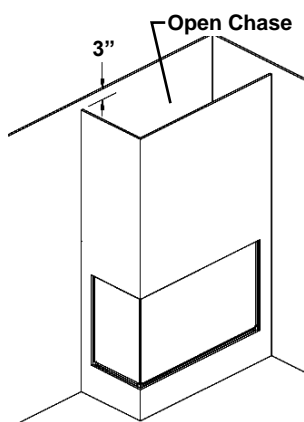
### Full Chase Options:



### Recessed Chase Options:



### LH or RH Corner Chase Options (Corner Kit Required):



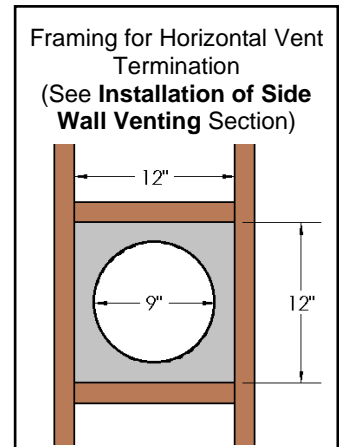
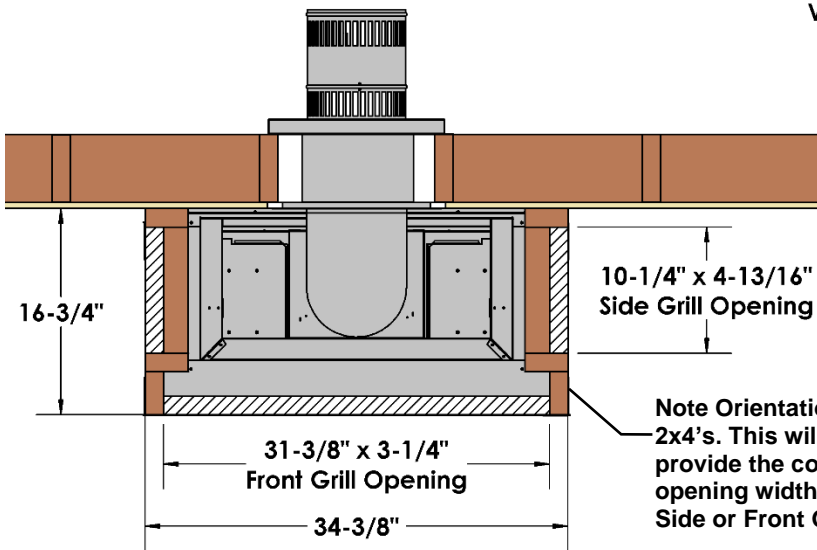
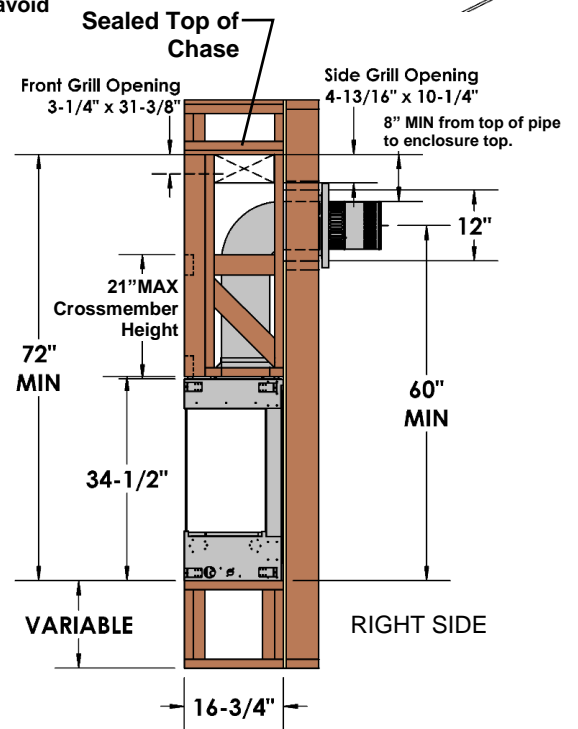
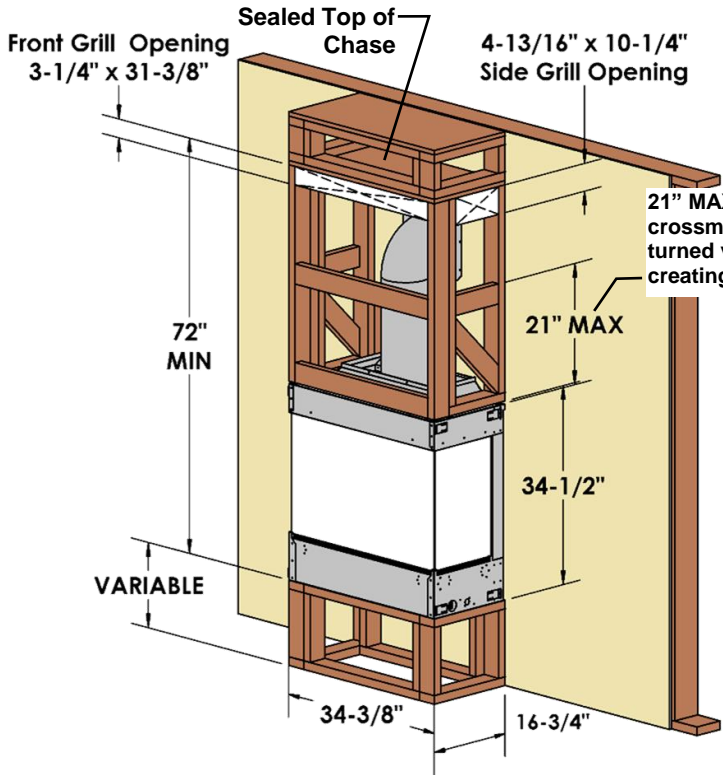
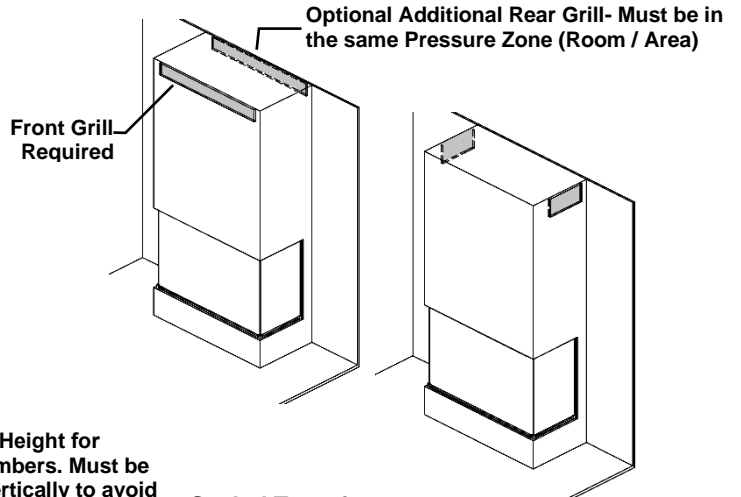
# MQZCV34BG Framing Dimensions- Full Chase with Front -OR- Side Grills

Grills **MUST** be located at top of chase. **V34EG** Front Grill -OR- **V34EGS** Side Grills may be used. If **V34EGS** Side Grills are used, both sides of chase must be vented.

**NOTE: These structures are not load bearing.**

No loose Combustibles (wood, wiring, etc.) are allowed inside the open Chase area.

Unit and Framing can be covered with combustible materials.

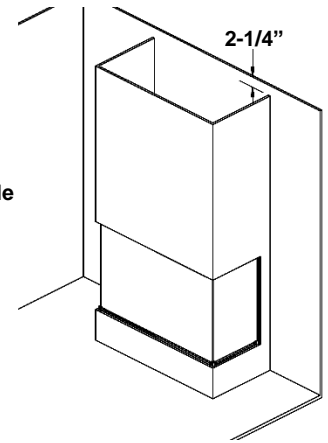


# MQZCV34BG Framing Dimensions- Full Chase with Open Top

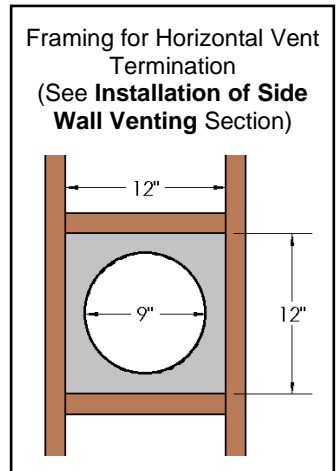
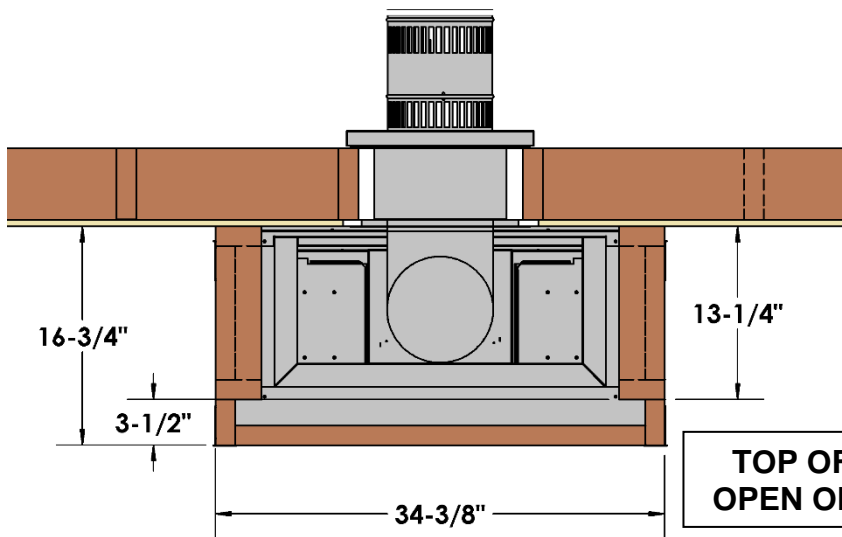
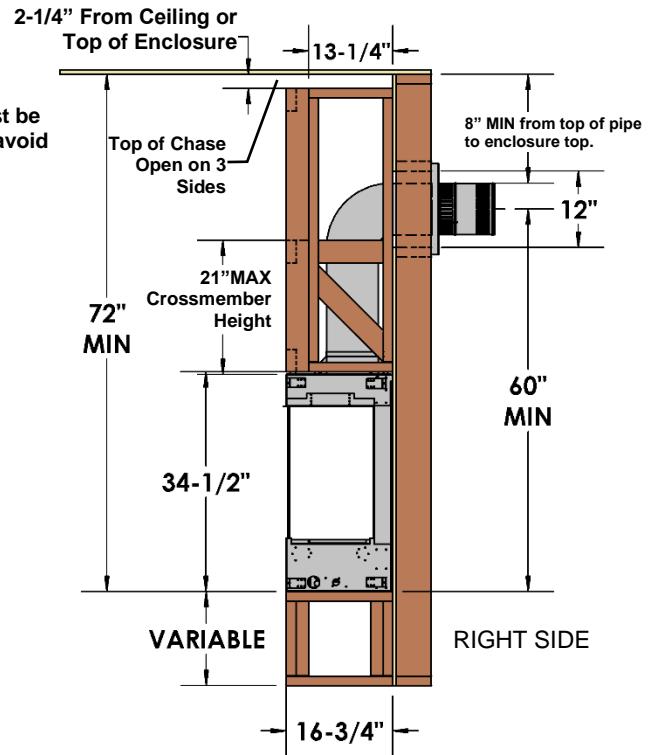
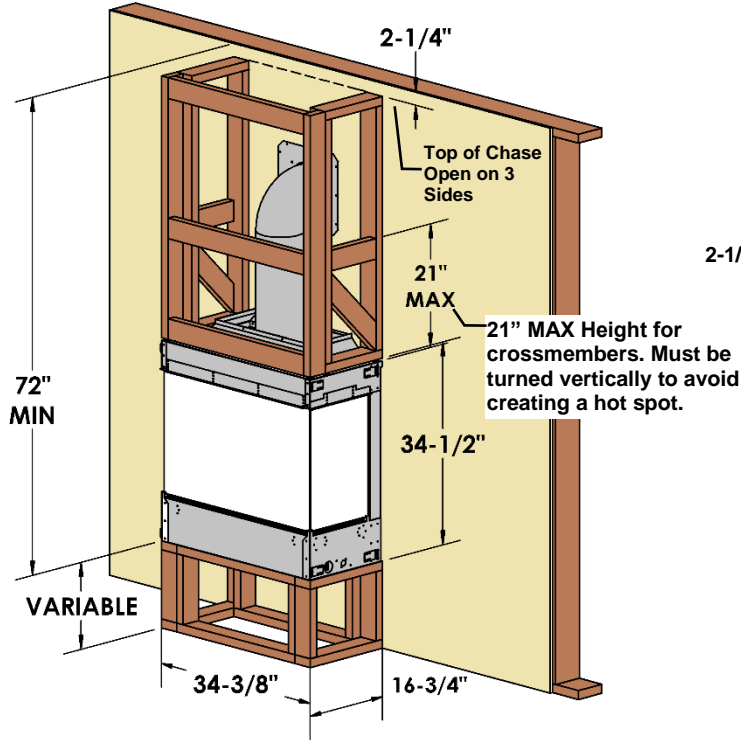
The top of the chase must have an opening of 2-1/4" on 3 sides.

NOTE: These structures are not load bearing.

No loose Combustibles (wood, wiring, etc.) are allowed inside the open Chase area.



Unit and Framing can be covered with a combustible i.e., drywall.

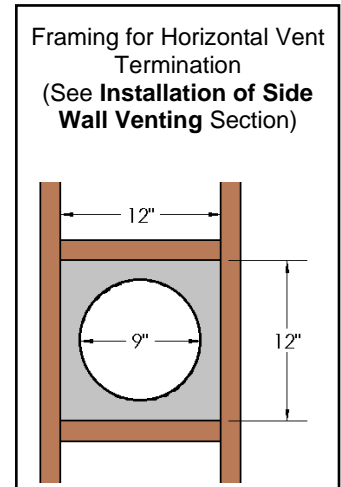
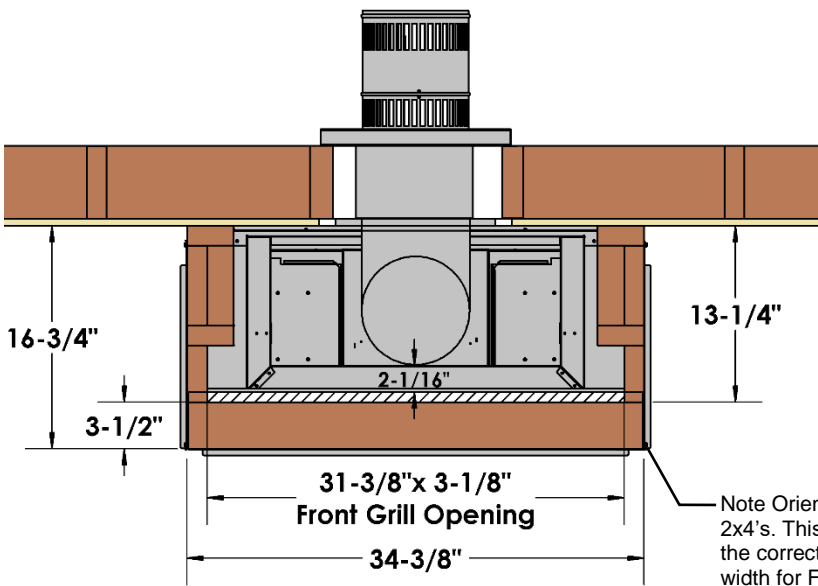
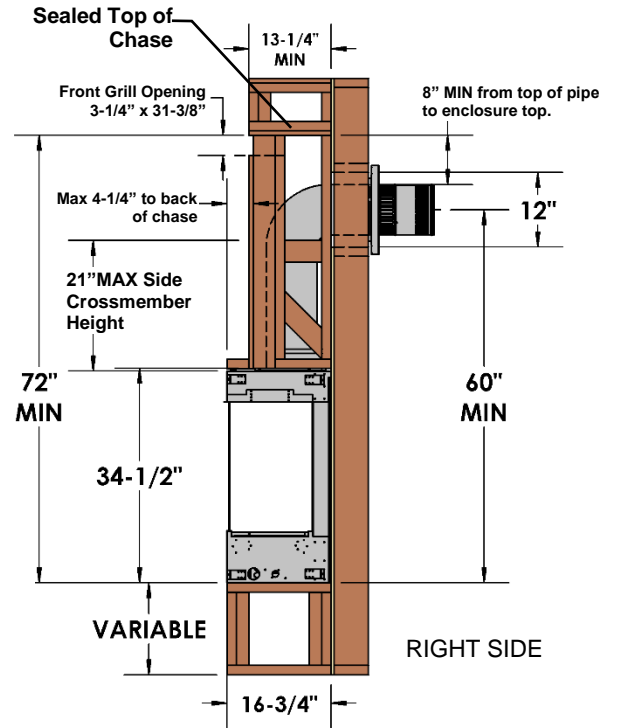
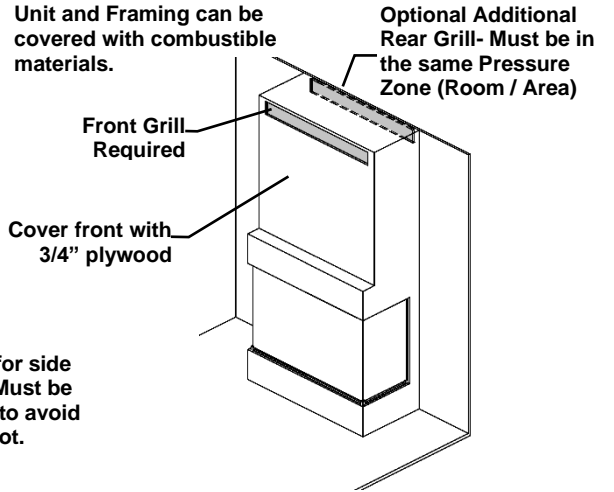
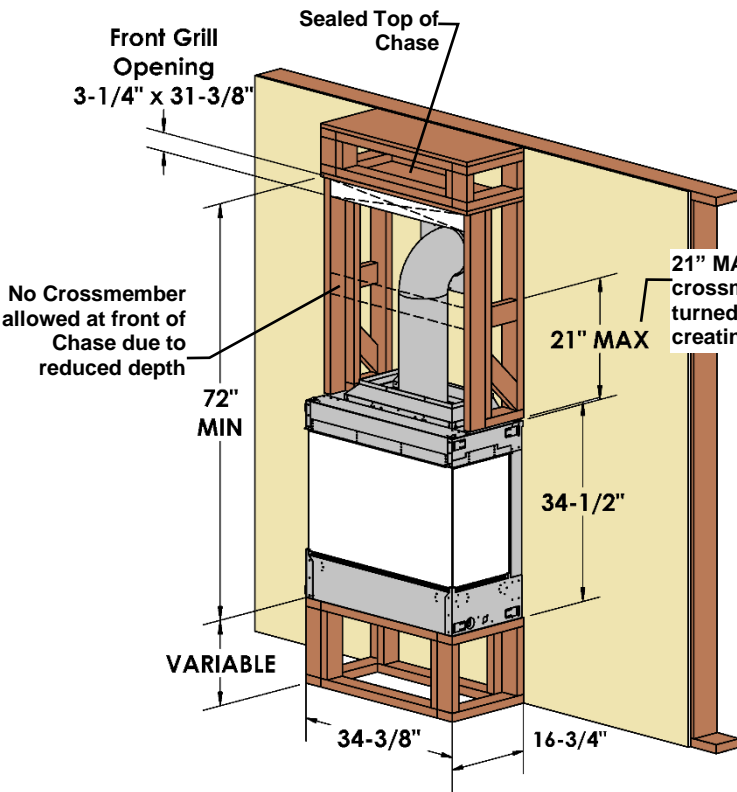


# MQZCV34BG Framing Dimensions- Recessed Front Chase with Front Grill

Grill **MUST** be located at top of chase. **V34EG** Front Grill must be used. No Side Grill Option as Chase is too small.

**NOTE: These structures are not load bearing.**

No loose Combustibles (wood, wiring, etc.) are allowed inside the open Chase area.



# MQZCV34BG Framing Dimensions- Recessed Front Chase with Open Top

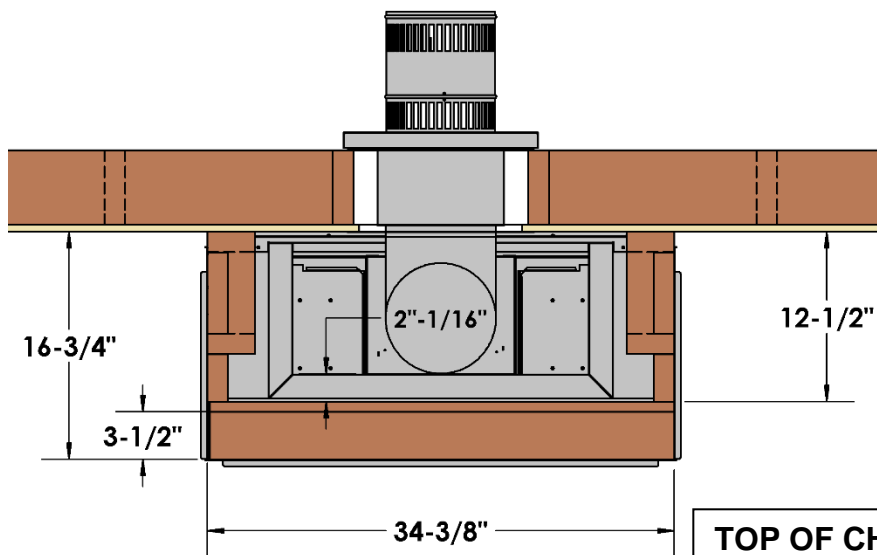
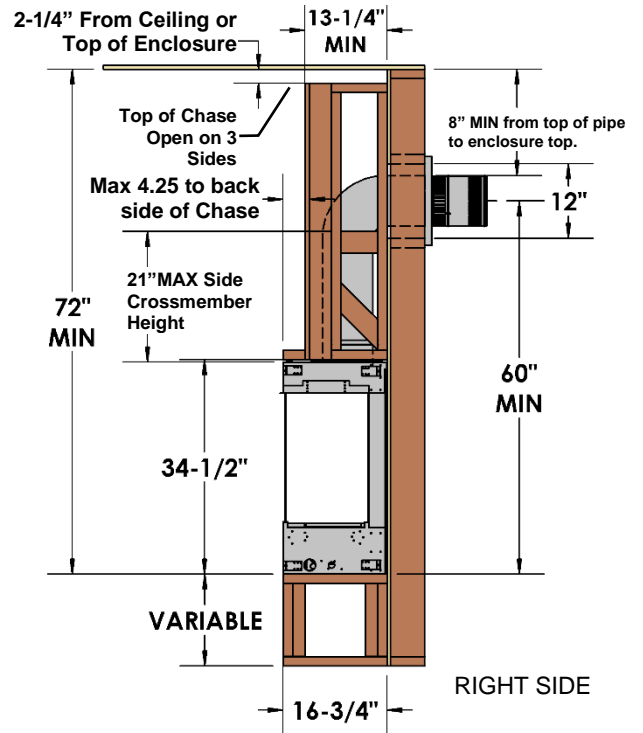
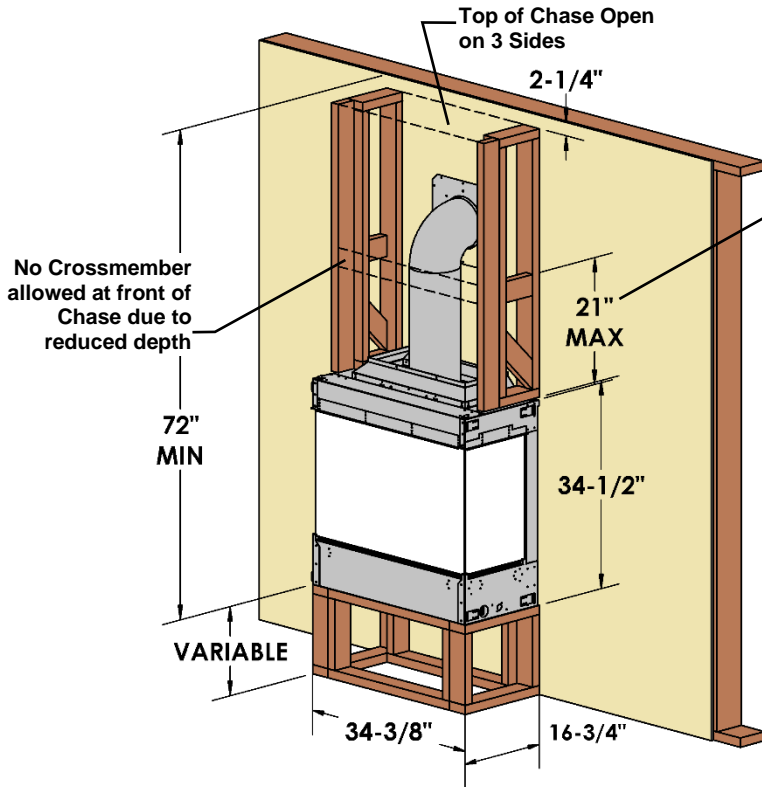
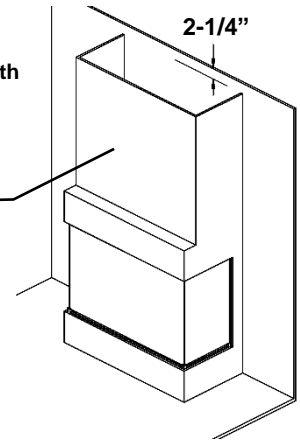
The top of the chase must have an opening of 2-1/4" on 3 sides.

NOTE: These structures are not load bearing.

No loose Combustibles (wood, wiring, etc.) are allowed inside the open Chase area.

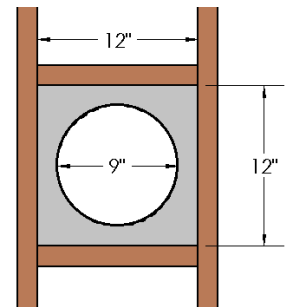
Unit and Framing can be covered with combustible materials.

Cover front of chase with 3/4" plywood



TOP OF CHASE OPEN ON 3 SIDES

Framing for Horizontal Vent Termination  
(See Installation of Side Wall Venting Section)



# MQZCV34BG Framing Dimensions- Recessed Front and Side Chase Open Top

The top of the chase must have an opening of 2-1/4" on 3 sides.

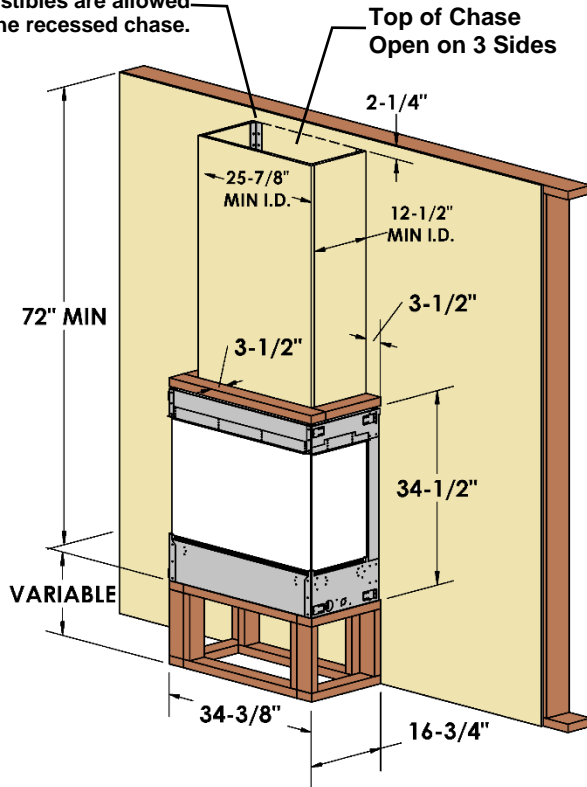
Do not use combustible materials (i.e., wood framing) inside of Enclosure.

Use metal mount brackets as shown below to secure the enclosure.

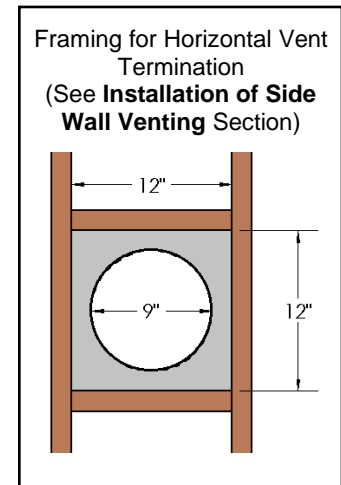
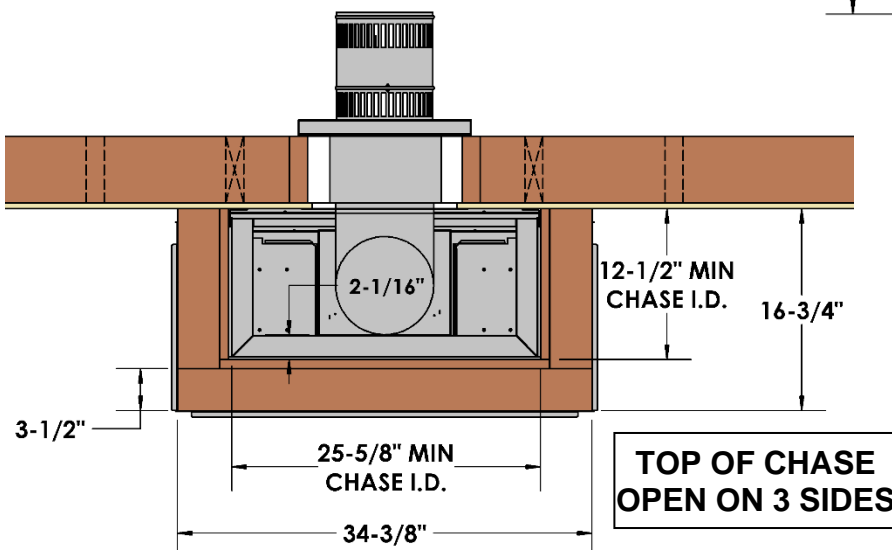
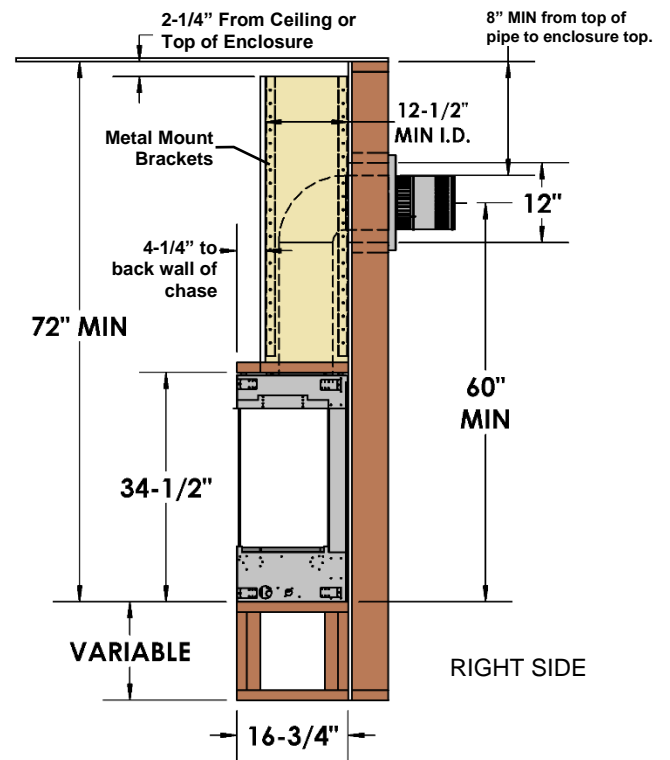
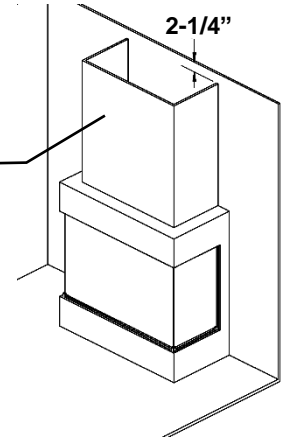
NOTE: These structures are not load bearing.

No loose Combustibles (wood, wiring, etc.) are allowed inside the open Chase area.

Use 3/4" plywood and metal mount brackets. No combustibles are allowed inside the recessed chase.



Use 3/4" plywood and metal mount brackets. No combustibles are allowed inside the recessed chase.



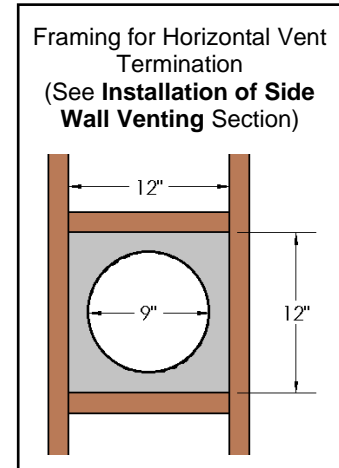
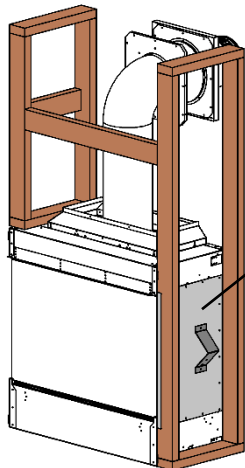
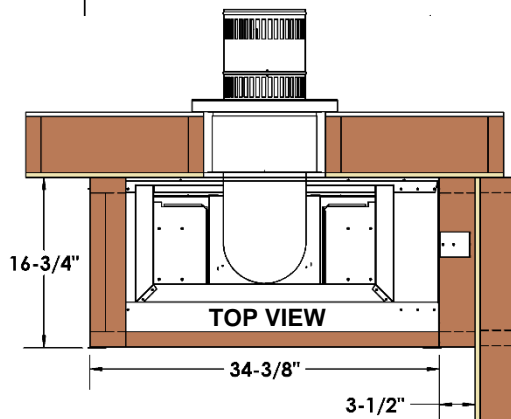
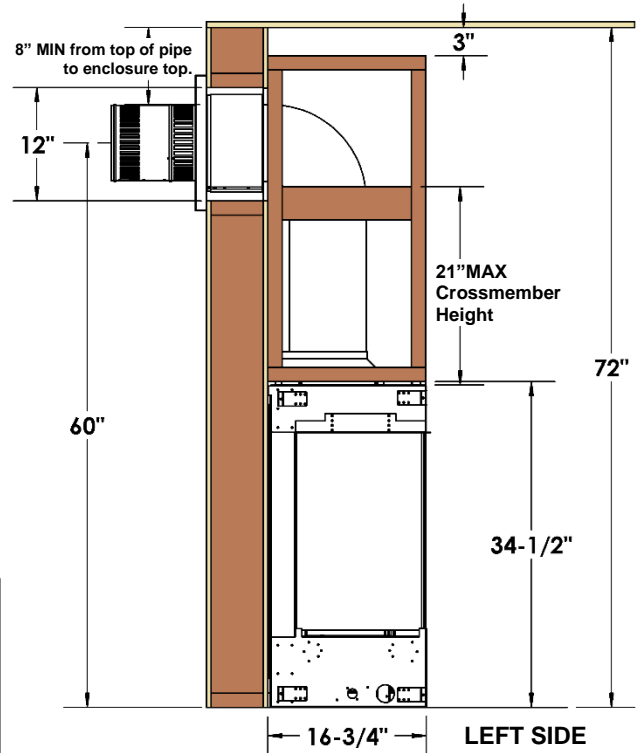
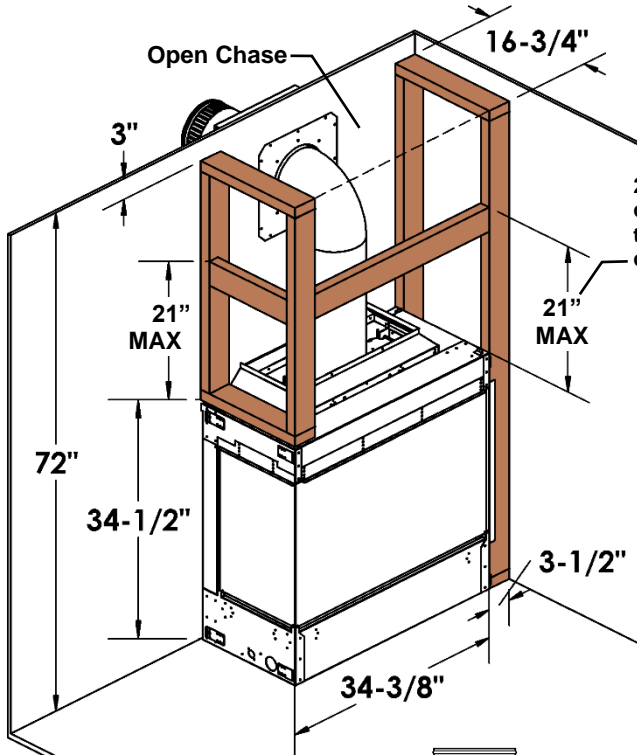
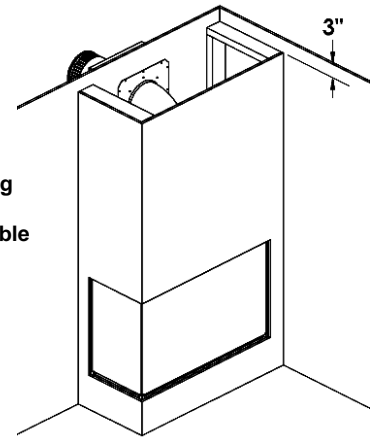


# MQZCV34BG Corner Framing Dimensions- Full Chase with Open Top

ZCV34BGCK Corner Kit Required. Can be used on left or right side of unit.  
The top of the chase must have an opening of 3".

NOTE: These structures are not load bearing.

No loose Combustibles (wood, wiring, etc.) are allowed inside the open Chase area.



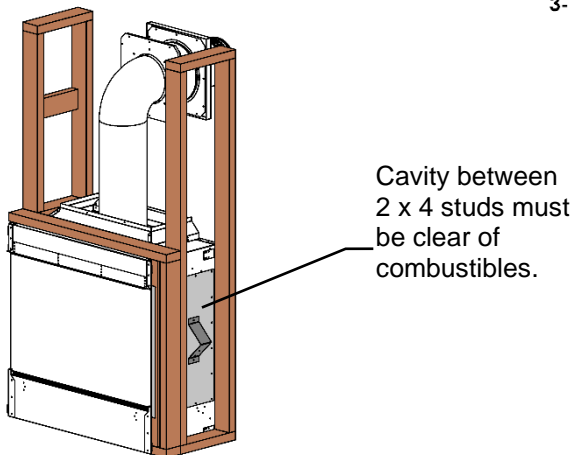
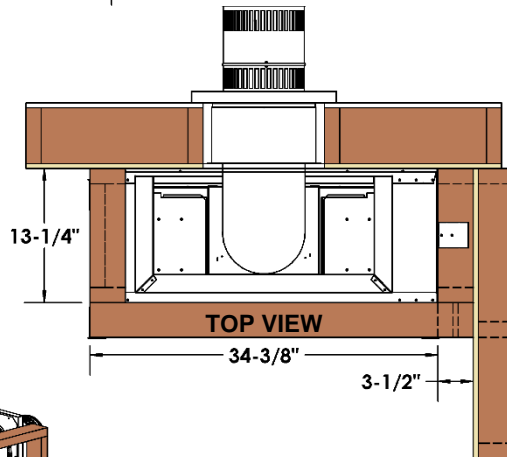
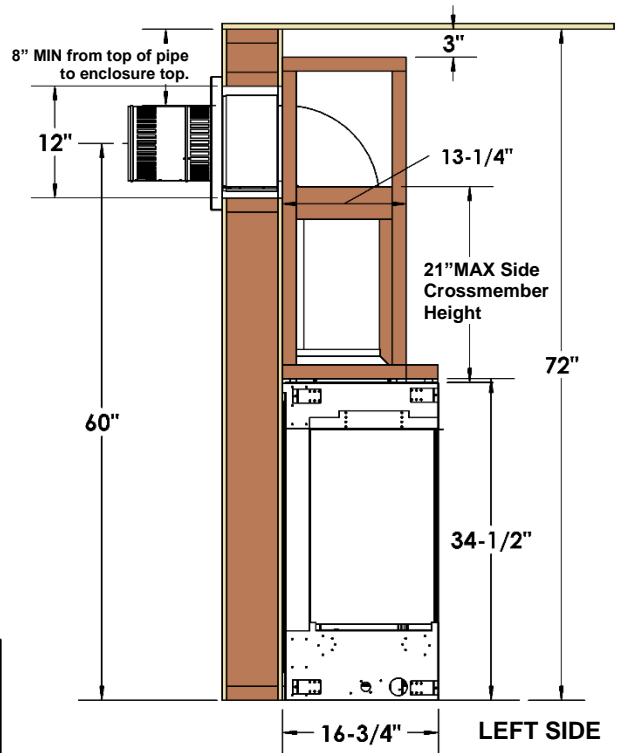
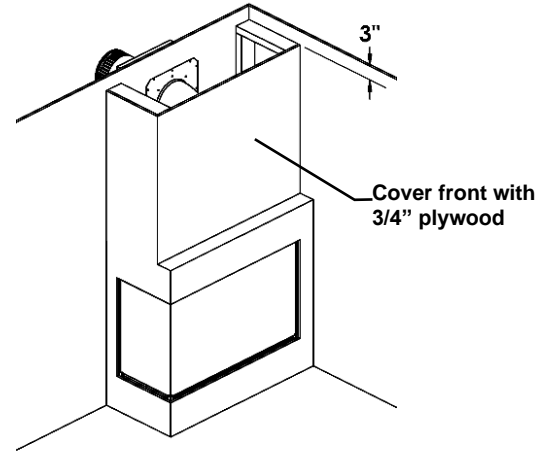
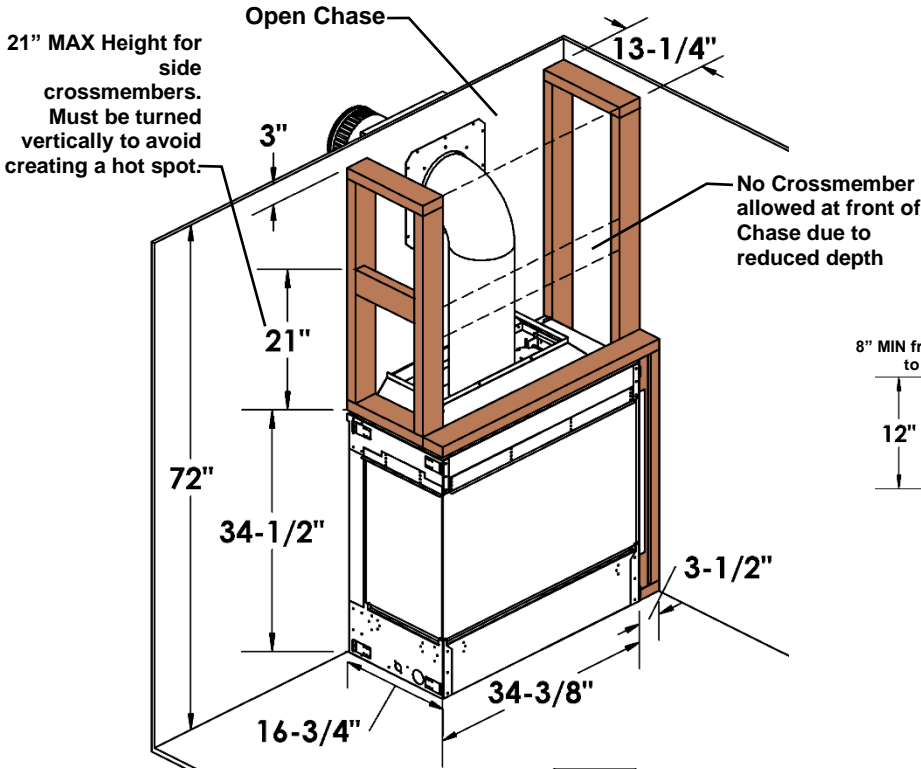
# MQZCV34BG Corner Framing Dimensions -Recessed Front Chase- Open Top

ZCV34BGCK Corner Kit Required. Can be used on left or right side of unit.  
 The top of the chase must have an opening of 3".

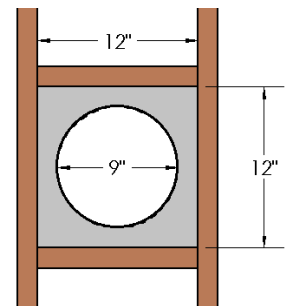
NOTE: These structures are not load bearing.

No loose Combustibles (wood, wiring, etc.) are allowed inside the open Chase area.

Unit and Framing can be covered with combustible materials.



Framing for Horizontal Vent Termination  
 (See Installation of Side Wall Venting Section)



# MQZCV34BG Corner Framing Dimensions- Recessed Front and Side Chase- Open Top -

ZCV34BGCK Corner Kit Required. Can be used on left or right side of unit.

The top of the chase must have an opening of 3".

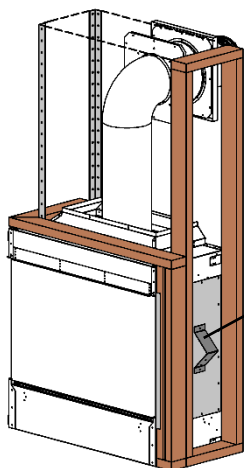
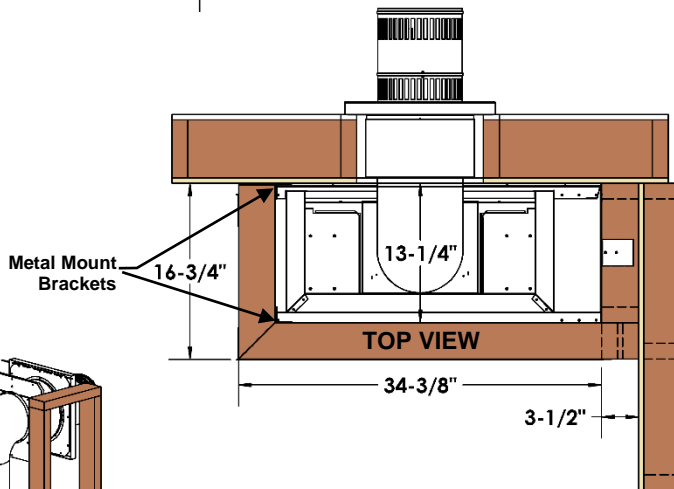
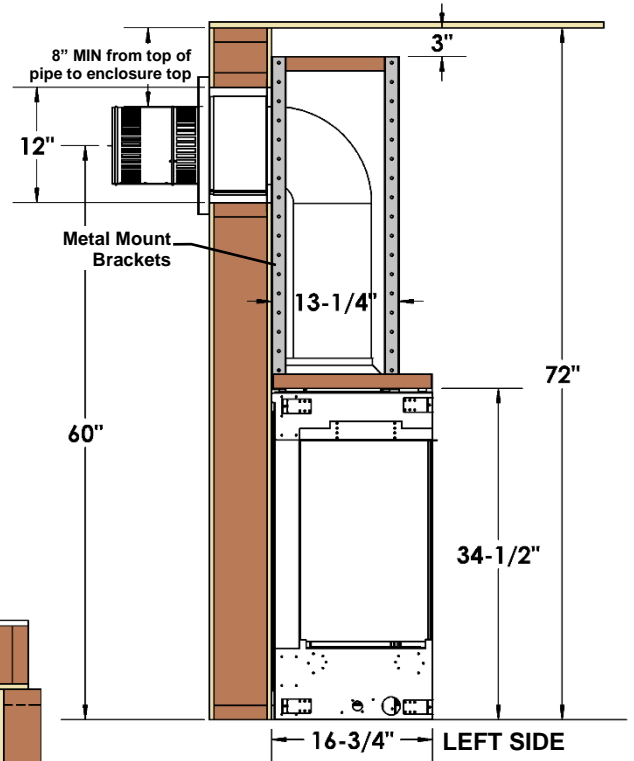
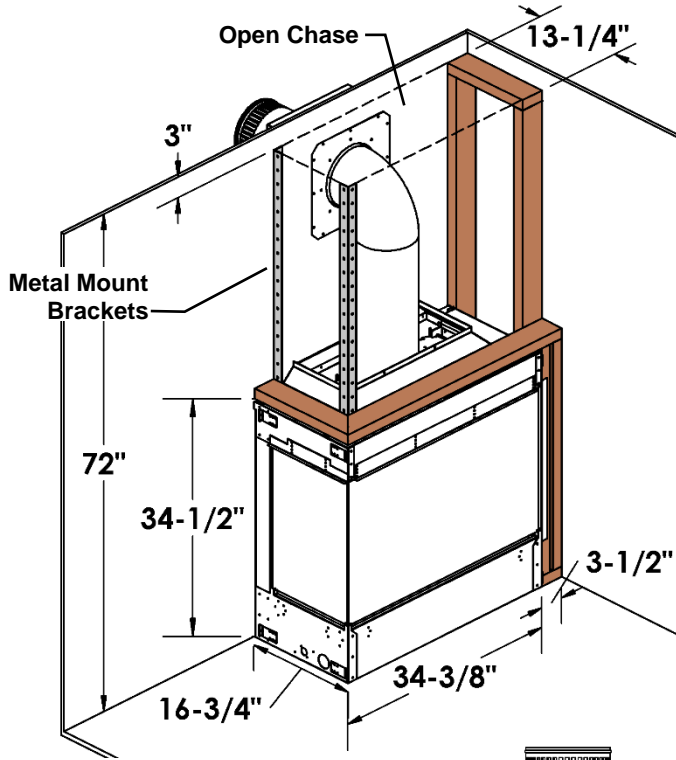
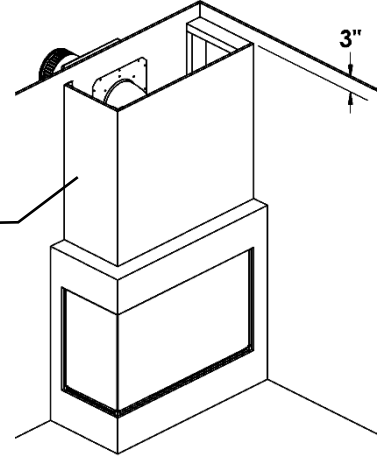
Do not use combustible materials (i.e., wood framing) inside of Enclosure.

Use metal mount brackets as shown below to secure the enclosure.

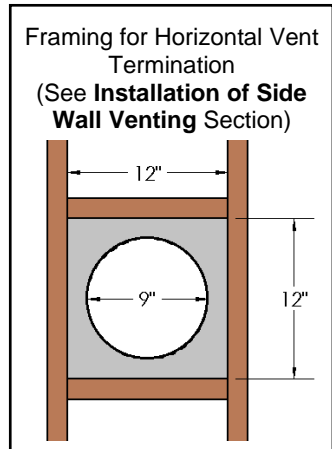
**NOTE:** These structures are not load bearing.

No loose Combustibles (wood, wiring, etc.) are allowed inside the open Chase area.

Use 3/4" plywood and metal mount brackets. No combustibles are allowed inside the recessed chase.



Cavity between 2 x 4 studs must be clear of combustibles.

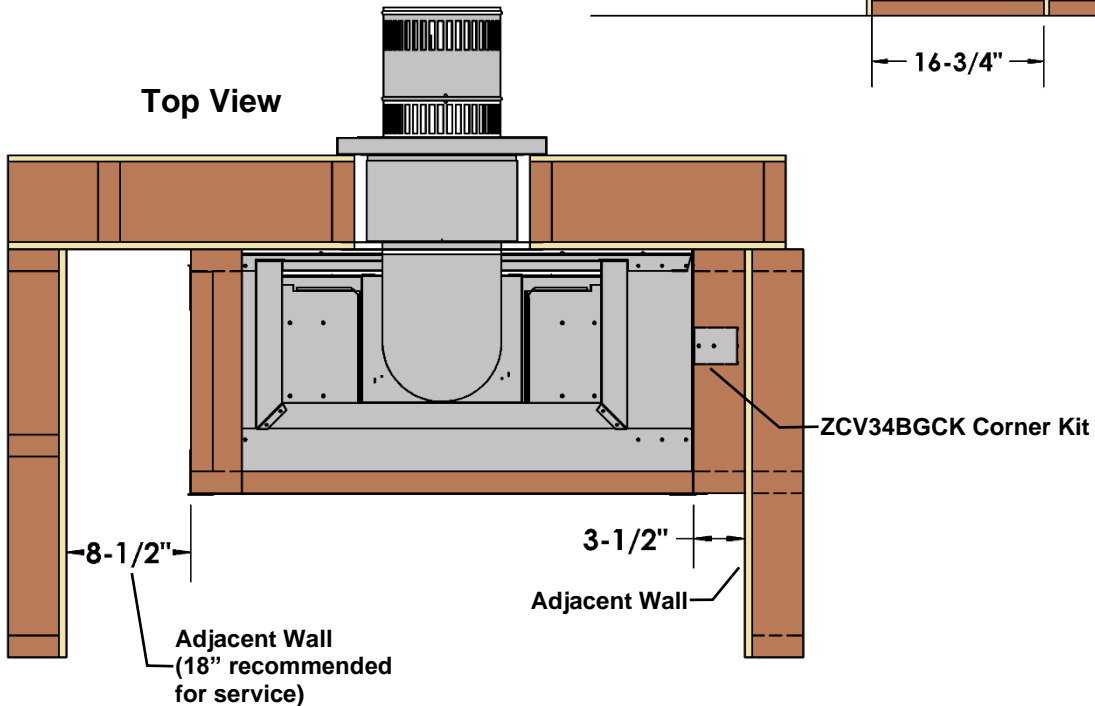
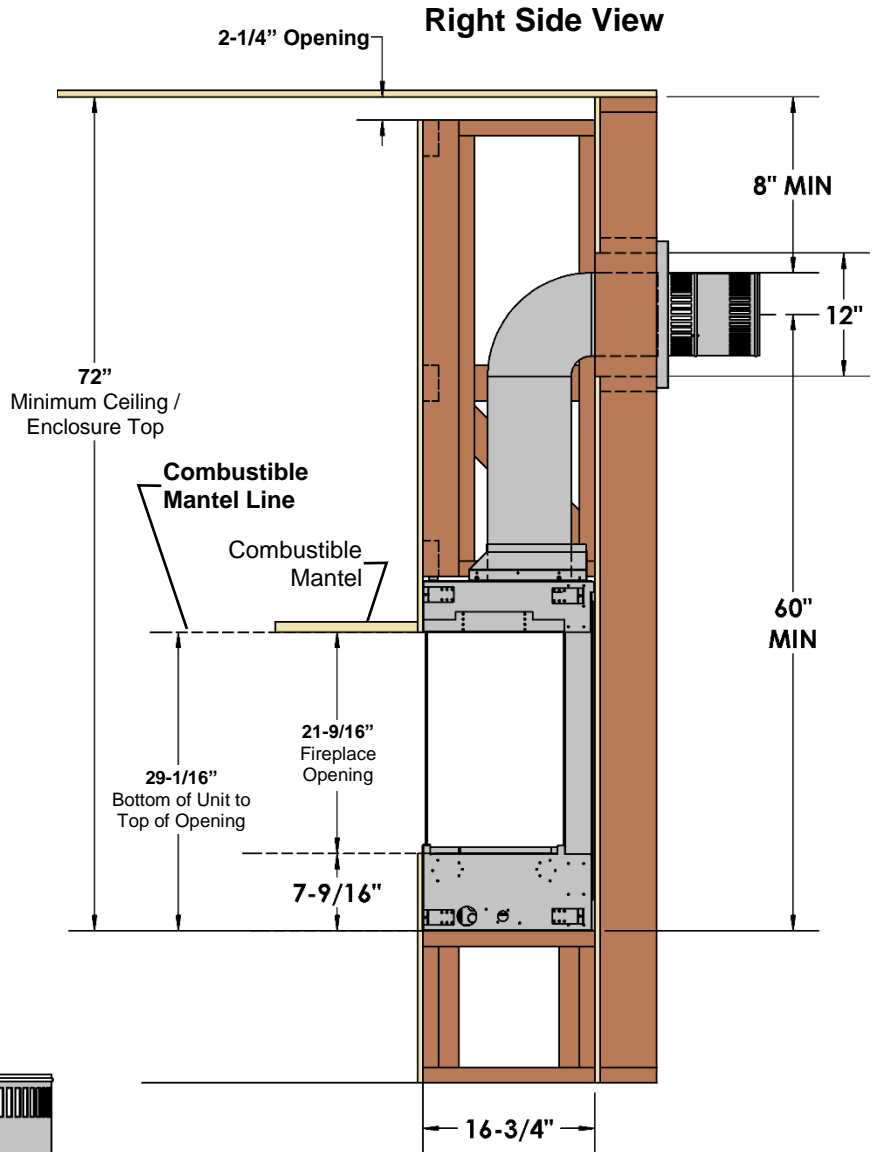


# MQZCVBG34 -Mantel and Adjacent Wall Clearances

A **Combustible Mantel** can be placed immediately above the fireplace opening.

A **Combustible Hearth** can be placed immediately below the fireplace opening.

An **Adjacent Side Wall** may project directly from the side of the fireplace opening.



Front (Furniture, etc. from glass)	36" [92cm]
Side (Furniture, etc. from glass)	8-1/2" [21.6cm]
Side (from Stand-offs of Unit or Corner Kit)	0" [0cm]
Back (from Stand-offs)	0" [0cm]
Floor*	0" [0cm]
Minimum Ceiling Height (from bottom of fireplace)	72" [183cm]
Top (from Stand-offs)	0" [0cm]
Top of 90° Bend in minimum Enclosure of 72"	8" [20.3cm]
Top of 90° Bend in Enclosure over 72"	8" [20.3cm]

**⚠ NOTE**  
 If using insulation in vented chase (i.e. for outside wall), wall board / drywall is required to support all insulation.  
 Vented chase must be clean and free of all debris (i.e. loose insulation, pieces of wood, etc.).

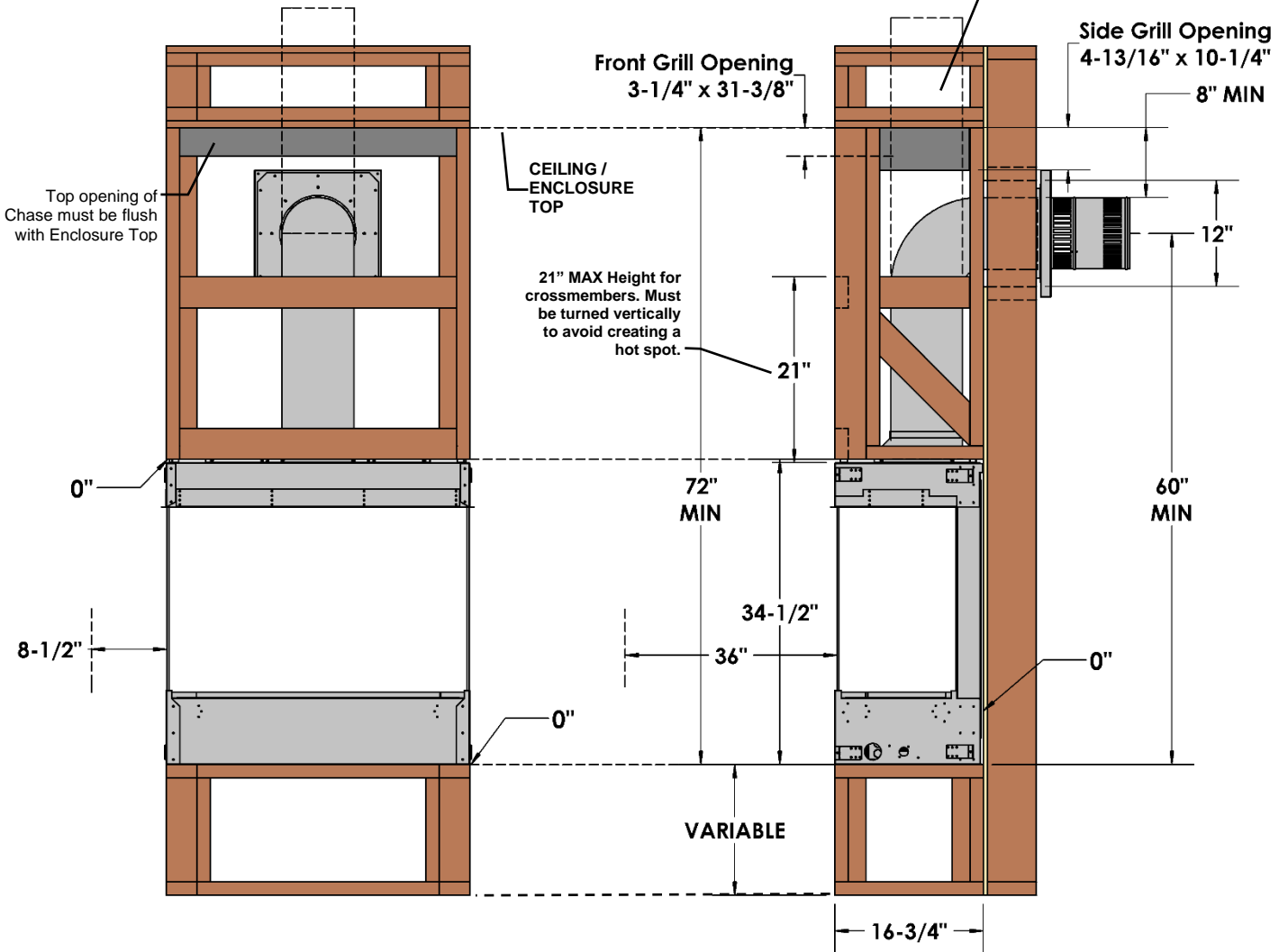
\*Note: If appliance is installed directly on carpeting or other combustible material other than wood flooring, a metal or wood panel extending the full width and depth of the appliance must be used. Carpet may extend 1 inch above the floor of the appliance.

**VENTING SYSTEMS**

Top of Horizontal Pipe	1/1/2" [3.8cm]
Side & Bottom of Horizontal Pipe	1" [2.5cm] All Vent Systems
Vertical Vent Pipe in Enclosure under 72"	2-7/8" [7.3cm] All Vent Systems
Vertical Vent Pipe in Enclosure over 76"	1" [2.5cm] All Vent Systems
Wall Thimble or Attic Insulation Shield (outside of barrel)	0" [0cm]

**No combustibles (crossmembers, etc.) are allowed inside a recessed chase with minimum dimensions of 25-5/8" wide by 12-1/2" deep.**

Top of Enclosure must be sealed so that no heat can escape.



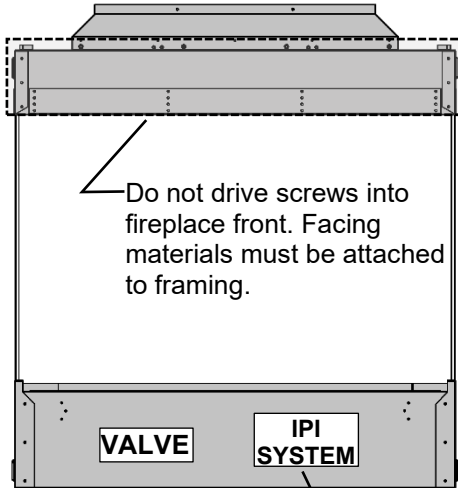
## MQZCVBG34

## -Facing Requirements

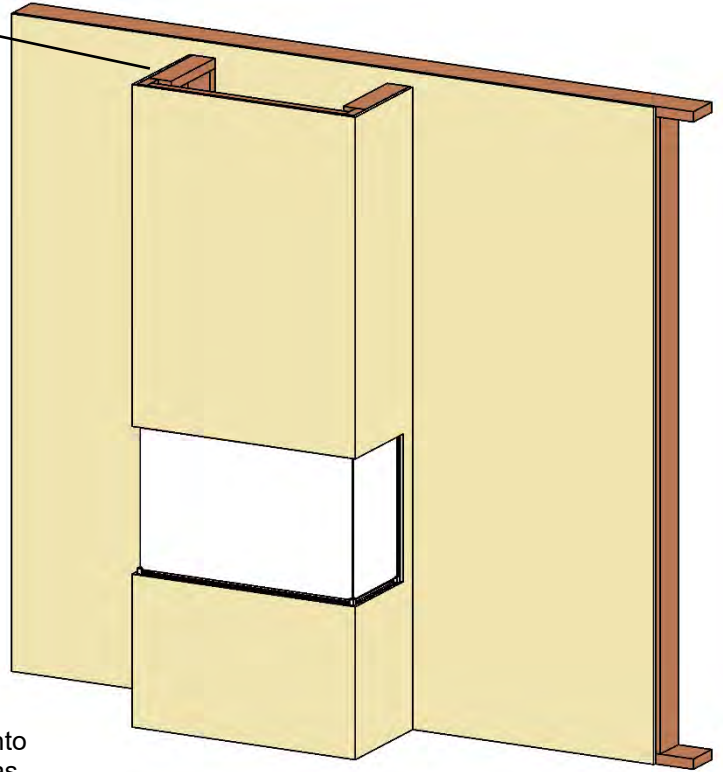
Unit may be covered with combustible material (i.e. drywall) up to the fireplace opening.

### FIREPLACE CHASE MUST BE VENTED AT THE TOP OF THE ENCLOSURE.

- Minimum 90 square inches free air opening for grills (V34EG & V34EGS).
- Minimum 2-1/8" Gap at top of enclosure for Open Top chases.



Do not drive screws into these highlighted areas.



## MQZCVBG34

## - Using Tile Lip

**A Tile Lip is supplied for attachment above the fireplace opening only.** This can be used as a standard tile edging or as a mount bracket for other surfaces like drywall or plywood.

Set to desired height and attach through holes in face of fireplace.

**For a complete Tile Lip Kit order ZBG34-TLK.**

