
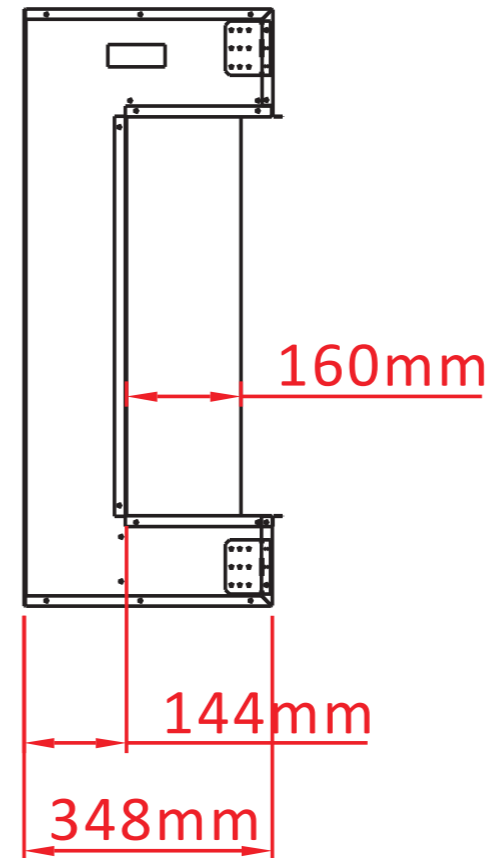
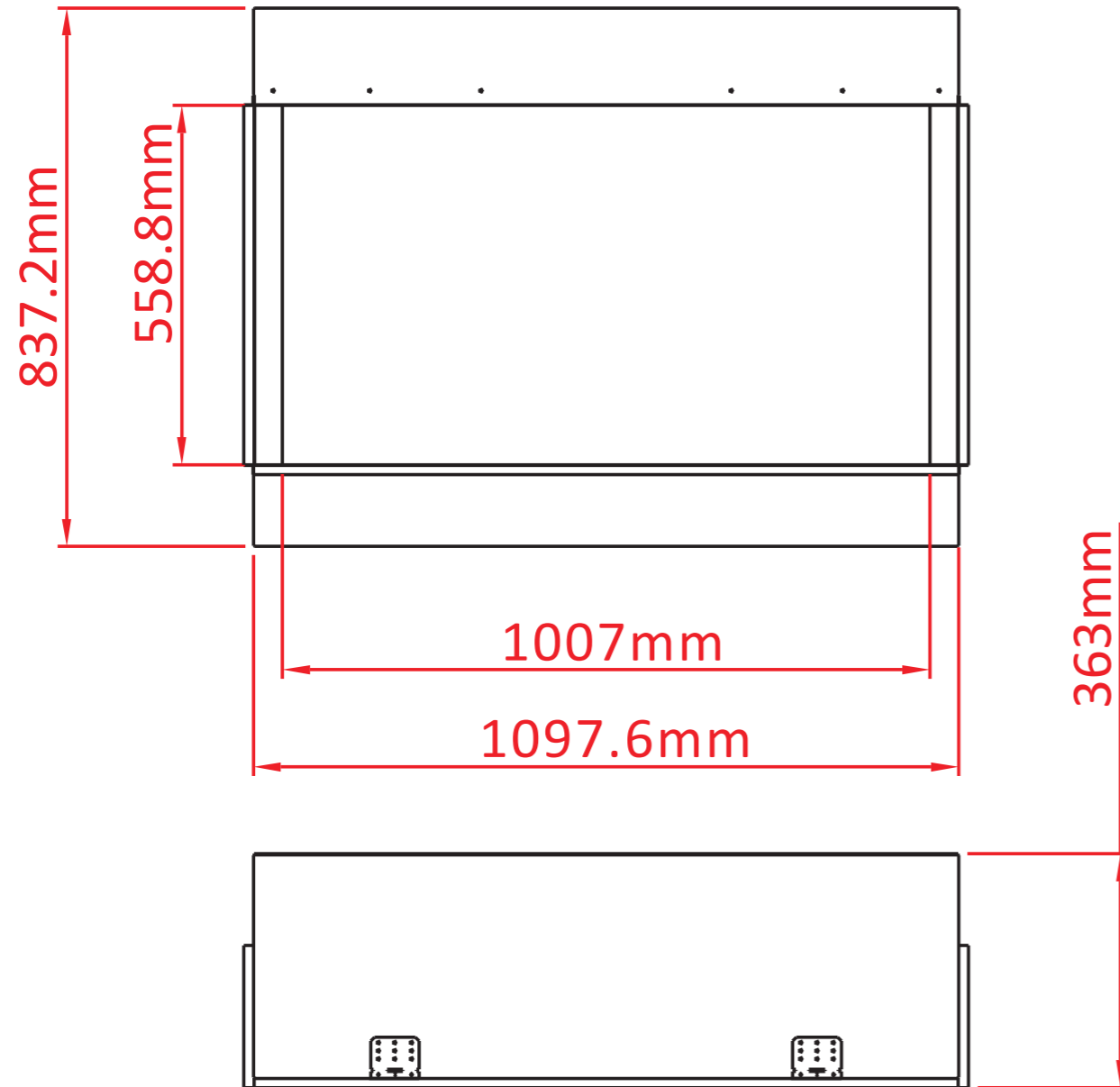


TECHNICAL SPECIFICATIONS

VOLTS		120
AMPS		12.5
WATTS		1465
HEATER	HIGH	1465 watts
	LOW	750 watts
NO HEATER		19 watts
LAMPS	TYPE	LED
	WATTS	
	TOTAL WATTS	41 watts
ROTOR MOTOR		2 at 5 watts
HEIGHT,WIDTH,DEPTH		33" x 43 1/4" x 13 3/4"
GLASS VIEWING OPENING		22" X 39 5/8"
GLASS SIZE		22" X 39 5/8"
SHIPPING SIZE		35 1/4" x 47 1/2" x 15 5/8"
SHIPPING WEIGHT		125.7 lbs
	UNIT	109.6 lbs
GLASS FRONT		Included
PLUG LOCATION		Left Side
CORD LENGTH		76"
APPROX. HEATING AREA		400 sq ft

Amantii


SERIES	MODEL		REV
TRU VIEW	40-TRV-XL-XT		1
SCALE 1"=1'-0"	DATE: 9/19/2019	SHEET 1 OF 1	



TECHNICAL SPECIFICATIONS

VOLTS		120
AMPS		12.5
WATTS		1465
HEATER	HIGH	1465 watts
	LOW	750 watts
NO HEATER		19 watts
LAMPS	TYPE	LED
	WATTS	
	TOTAL WATTS	41 watts
ROTOR MOTOR		2 at 5 watts
HEIGHT,WIDTH,DEPTH		83.7 x 109.8 x 34.8 cm
GLASS VIEWING OPENING		55.9 X 100.7 cm
GLASS SIZE		55.9 X 100.7 cm
SHIPPING SIZE		89.6 x 120.8 x 39.8 cm
SHIPPING WEIGHT		57 Kgs
	UNIT	49.7 Kgs
	GLASS FRONT	Included
PLUG LOCATION		Left Side
CORD LENGTH		193 cm
APPROX. HEATING AREA		37 sqm

Amantii

SERIES	MODEL		REV
TRU VIEW	40-TRV-XL-XT		1
SCALE 1:12	DATE: 9/19/2019	SHEET 1 OF 1	