



**MUST READ BEFORE**

**FRAMING**



**IMPORTANT**



EST. 2004

ontario hearth ltd.

**Montigo Delray Linear 6013**

**FRAMING**

**DIMENSIONS**

**SPECIFICATIONS**

**HEAT RELEASE REQUIREMENTS**

**QR LINK FOR  
PDF DIGITAL COPY  
OF SPECIFICATIONS:**

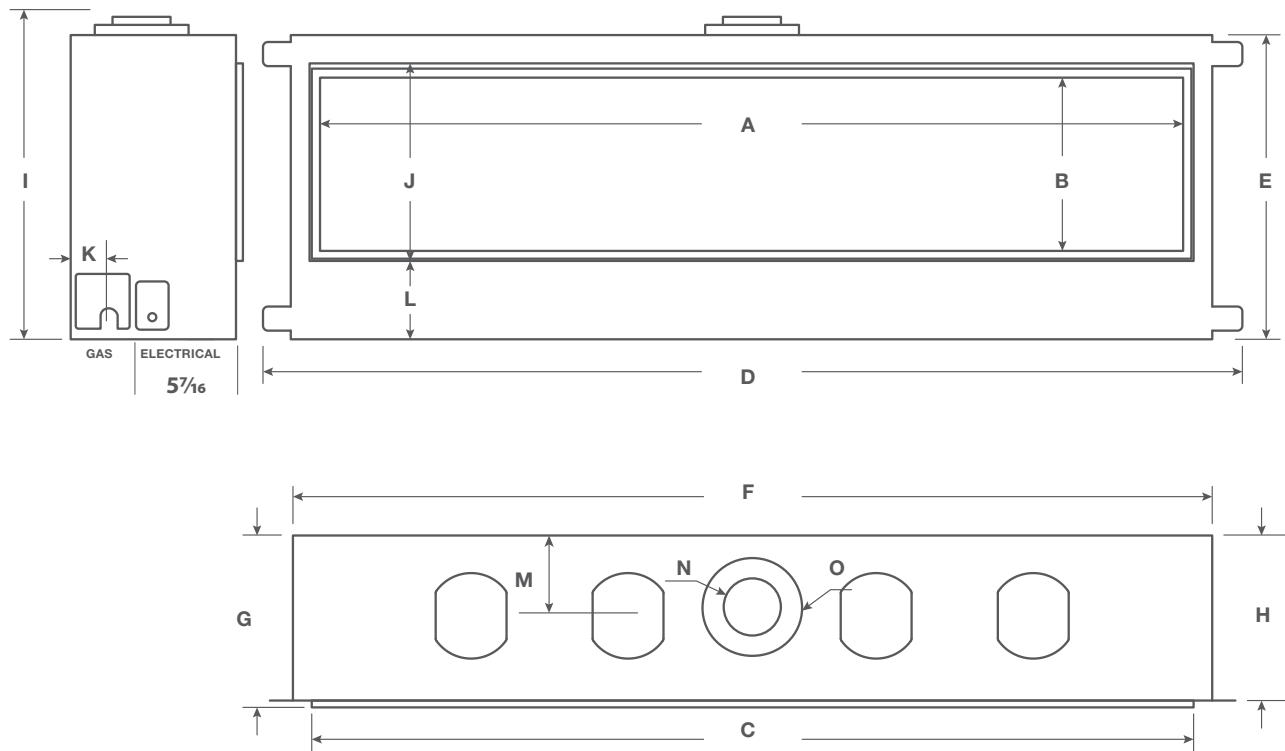
## NOTICE

DelRay DRL7213 uses 5/8 venting

DRL  
60

DRL  
72

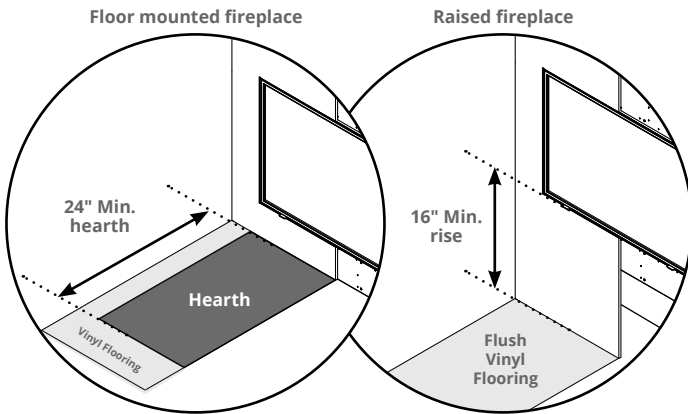
## DelRay 60, 72 Dimensions



	A	B	C	D	E	F	G	H	I	J	K	L	M	N	O
<b>DRL60</b>	60½	14 <sup>11</sup> / <sub>16</sub>	62½	69¼	24½	65 <sup>5</sup> / <sub>16</sub>	12¾	12 <sup>5</sup> / <sub>16</sub>	26¾	16 <sup>5</sup> / <sub>8</sub>	3 <sup>3</sup> / <sub>8</sub>	6 <sup>9</sup> / <sub>16</sub>	5	4	7
<b>DRL72</b>	72½	14 <sup>11</sup> / <sub>16</sub>	74 <sup>3</sup> / <sub>8</sub>	82¾	25 <sup>7</sup> / <sub>16</sub>	77 <sup>7</sup> / <sub>16</sub>	14 <sup>7</sup> / <sub>16</sub>	13 <sup>15</sup> / <sub>16</sub>	27	16½	3 <sup>3</sup> / <sub>8</sub>	6 <sup>9</sup> / <sub>16</sub>	5 <sup>15</sup> / <sub>16</sub>	5	8

## LVP and delicate flooring

Flooring such as Luxury Vinyl Plank (LVP) and other vinyl flooring can be sensitive to radiant heat and changes in temperature. If using vinyl flooring we recommend you install the fireplace in one of the ways shown below.



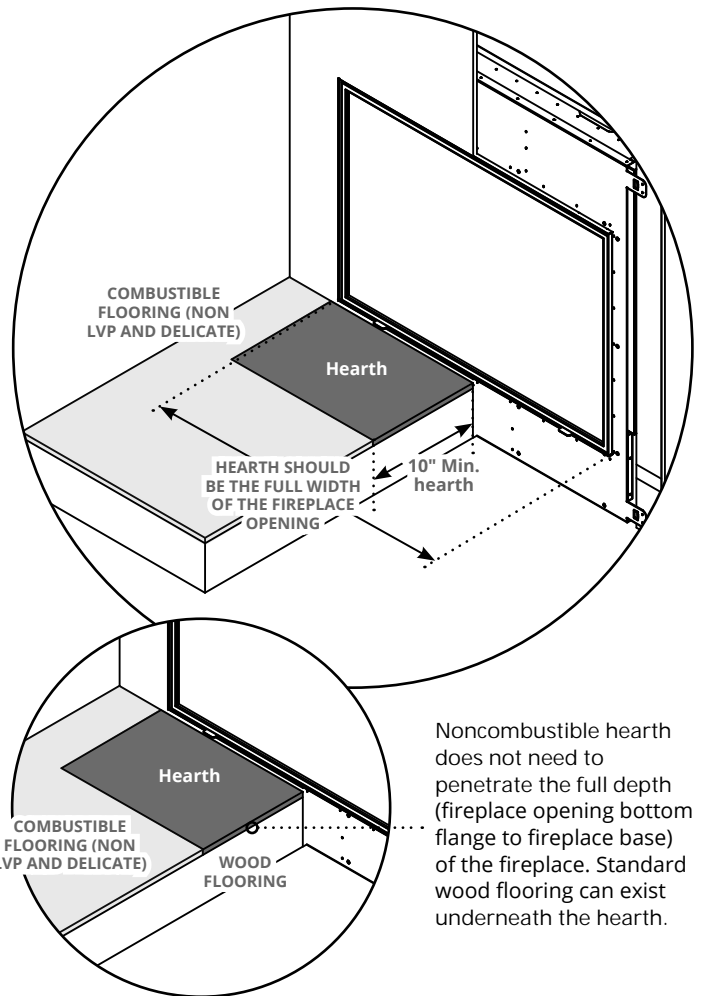
The minimum depth of the hearth is 24" if the fireplace base is flush with the floor (ie; not raised, and not recessed into the floor)

The minimum width of the hearth is equal to the width of the fireplace opening.

Raise the fireplace so the opening is 16" above the floor to allow for vinyl flooring to be installed flush to the wall. (Measured from floor to the bottom of the door opening)

## Recommended floor recess considerations

DelRay fireplaces can be recessed into the floor, though a 10" non-combustible hearth is recommended. Please consult flooring manufacturer for safe temperatures, when fireplace is in operation temperatures may get up to 180°F.



Noncombustible hearth does not need to penetrate the full depth (fireplace opening bottom flange to fireplace base) of the fireplace. Standard wood flooring can exist underneath the hearth.

DRL  
60

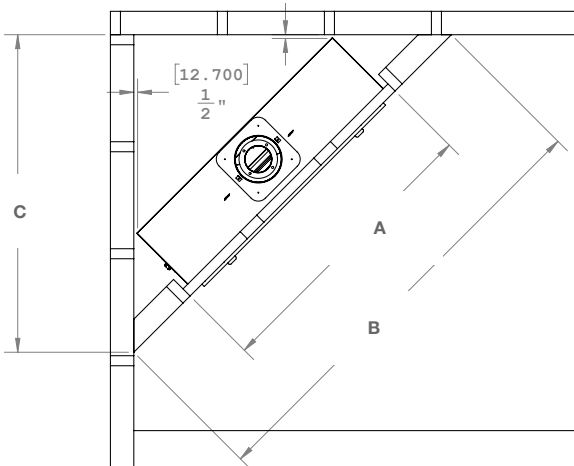
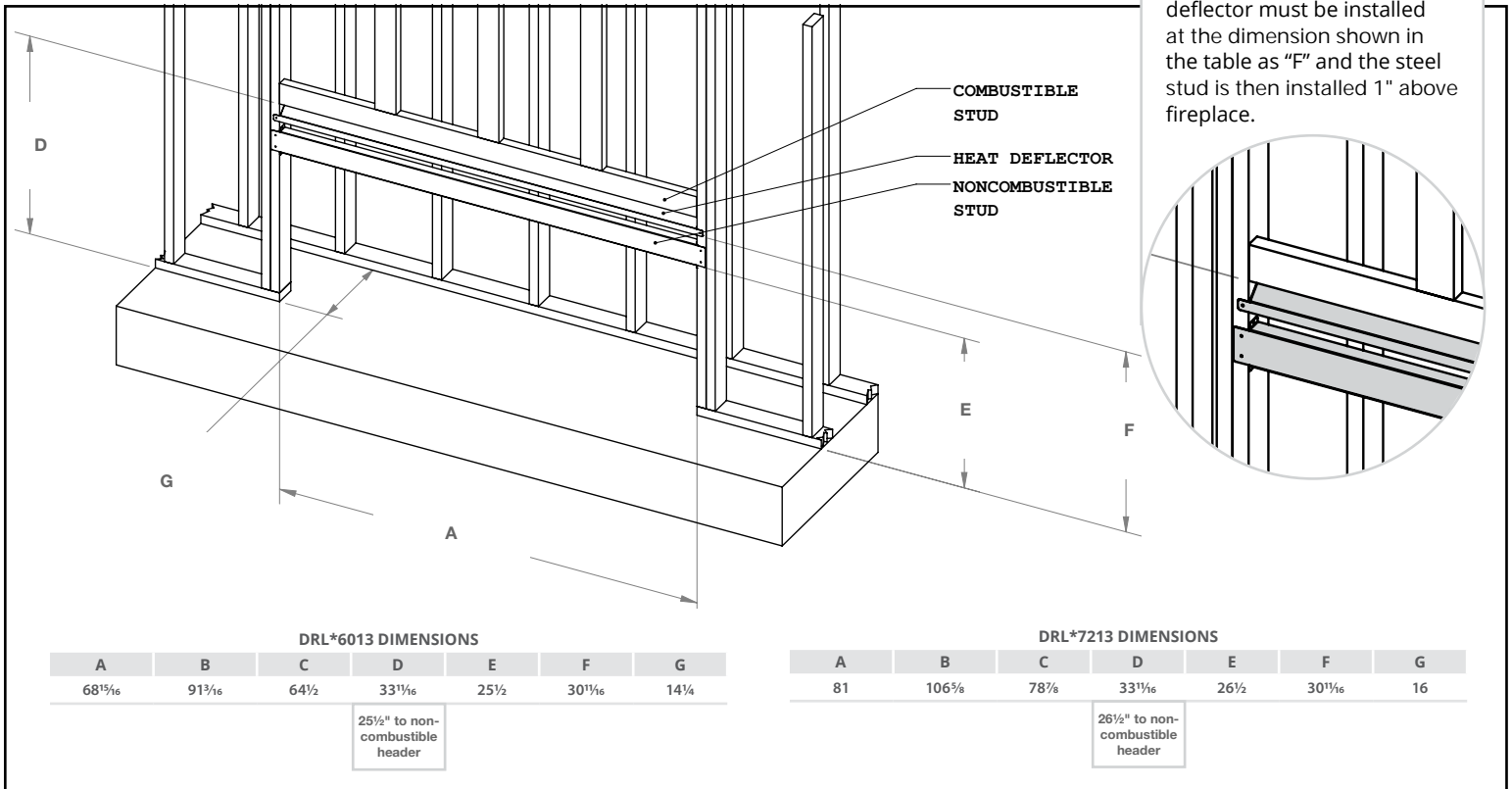
DRL  
72

## Framing Dimensions 60", 72"

1). Frame in the enclosure for the unit with framing materials. The framed opening for the assembled fireplace shown below in table

NOTE: When constructing the framed opening, please ensure there is access to install the gas line when the unit is installed

The DRL60 and DRL72 comes standard with a non-combustible steel stud and a heat deflector. The heat deflector must be installed at the dimension shown in the table as "F" and the steel stud is then installed 1" above fireplace.



### ⚠ WARNING

When this appliance is installed directly on ANY combustible other than wood flooring (carpet, vinyl, etc.). It must be installed on an equivalent wood or metal panel. This material must extend the full width and depth of the appliance.

### NOTICE

Clearances must be in accordance with local installation codes and the requirements of the gas supplier

DRL  
36

DRL  
48

DRL  
60

DRL  
72

## Clearances

When installing a shelf over the top of the fireplaces, the following guidelines must be adhered to:

MODEL	Top - Top vent †	Rear	Sides	Floor	Mantel	Vent Pipe
DRL3613*I	21"	2"	1"	0"	6"	1" all around 2" on the horizontal
DRL4813*I	21"	2"	1"	0"	6"	1" all around 2" on the horizontal
DRL6013*I	36"	2"	1¾"	0"	6"	1" all around 2" on the horizontal
DRL7213*I	38½"	2"	1¾"	0"	10"	1" all around 2" on the horizontal

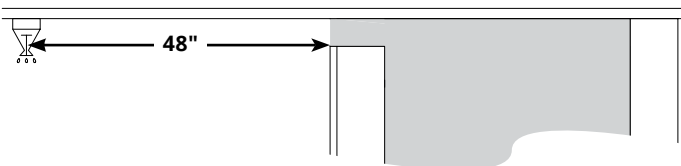
Figure 4. Combustible Wall Clearances

### NOTES:

† Clearance from top of fireplace to a ceiling within the fireplace enclosure.

## Clearance to Sprinkler

- Maintain 48" of clearance to openings from which heat is discharged such as chase venting and Cool Wall Advantage.
- Please follow local building codes to determine what sprinkler head sensor setting is relevant for your installation.



DRL  
36

DRL  
48

DRL  
60

DRL  
72

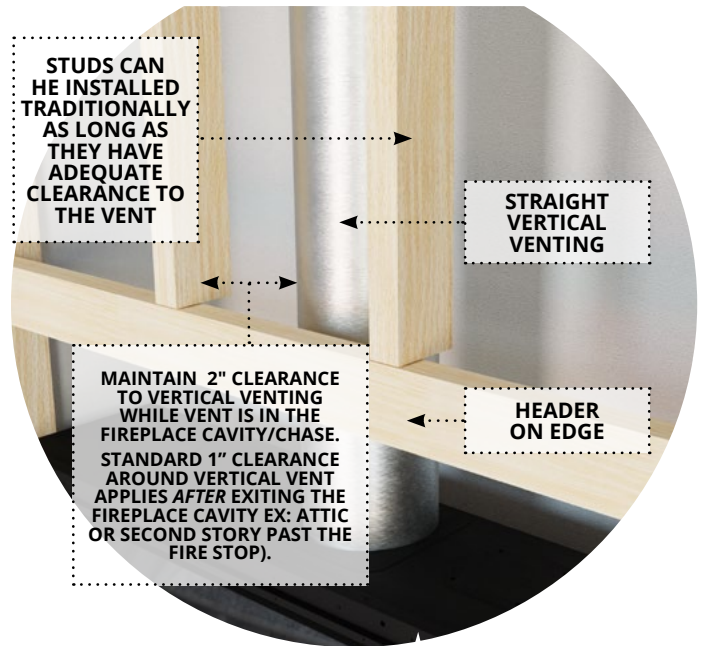
## Header on edge clarification

In order to both support the cement board AND provide sufficient clearance between framing and venting, the header is shown installed on edge. In many applications, such as up-and-out venting, a traditional horizontal header can be installed with after the vent elbow as long as sufficient clearances are maintained.

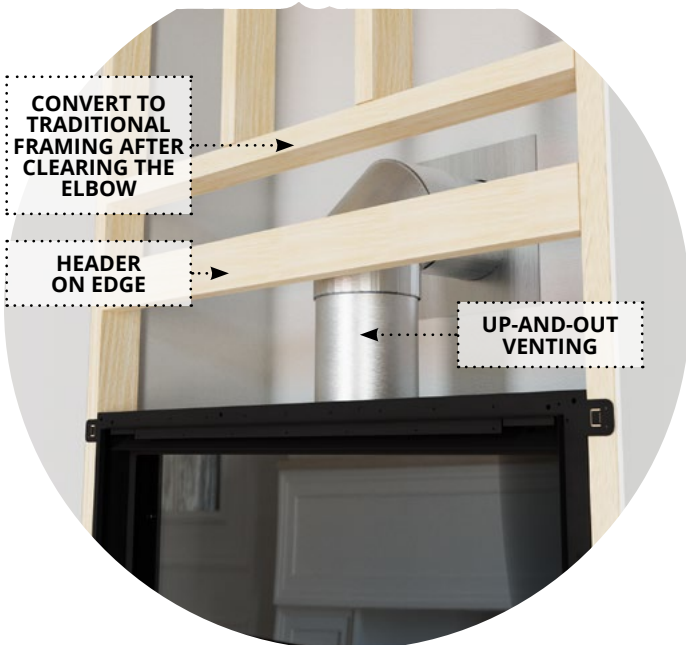
### **! WARNING**

These installs are shown without the required stud heat deflectors (and a steel stud kit for the DRL60 and 72.) These components are required and must be part of your framing.

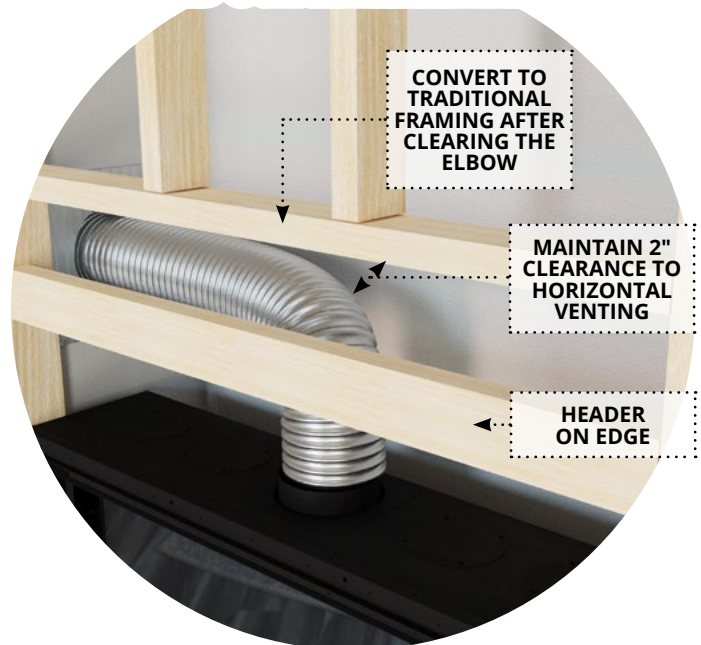
## STRAIGHT VERTICAL VENTING



## UP-AND-OUT VENTING



## UP-AND-OUT SIDEWALL VENTING



The use of flex venting in the scenario shown above makes the installation easier as it allows for a lower combustible header height AND accommodates the bend the vent has to take due to the shallow framing depth.

DRL  
60

DRL  
72

## 60, 72 Standard installation

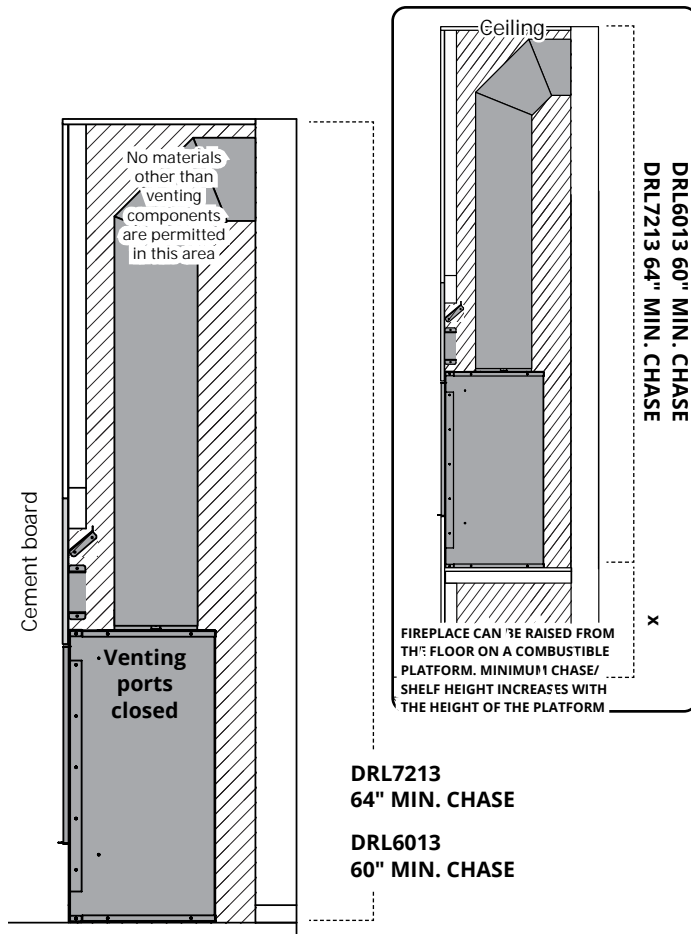
NO RECESS

NON-COMBUSTIBLE FACING

	DRL60	DRL72
16"	140°	145°
12"	155°	160°
8"	175°	180°
4"	200°	195°

### IMPORTANT

Temperatures are based off of the minimum enclosure size at a 3 hour burn time



## 60, 72 Standard installation (Shelf over)

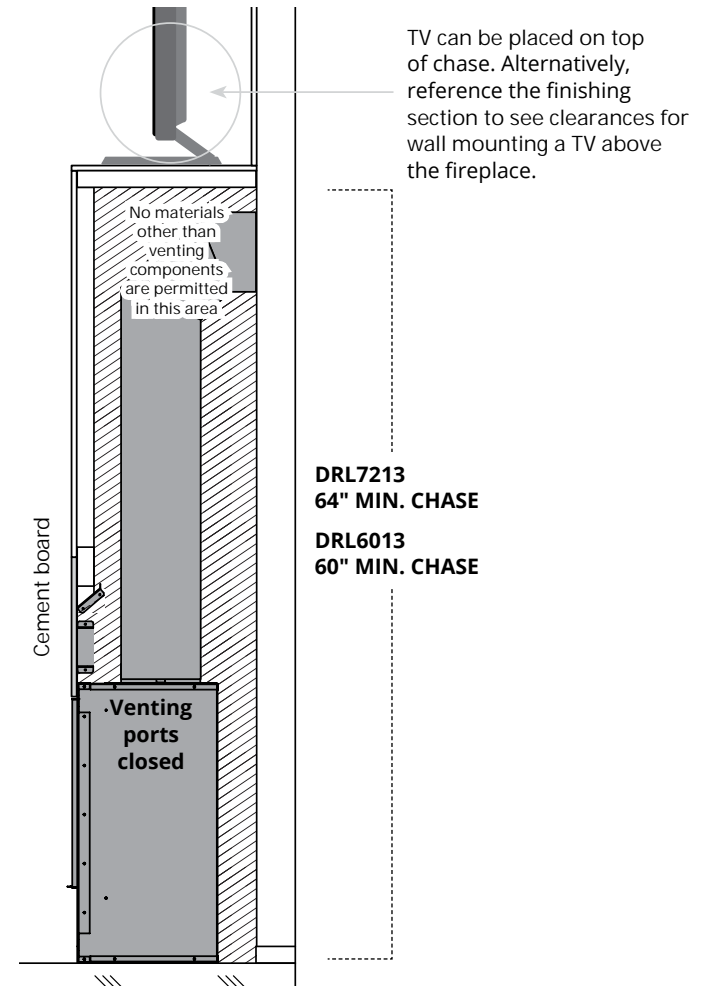
NO RECESS

NON-COMBUSTIBLE FACING

	DRL60	DRL72
16"	140°	145°
12"	155°	160°
8"	175°	180°
4"	200°	195°

### IMPORTANT

Temperatures are based off of the minimum enclosure size at a 3 hour burn time



**⚠ WARNING**

Combustible facing material not allowed with standard minimum chase

**⚠ WARNING**

Combustible facing material not allowed with standard minimum chase

DRL  
60

DRL  
72

## Vented installation (Cool Wall Release)

NO RECESS

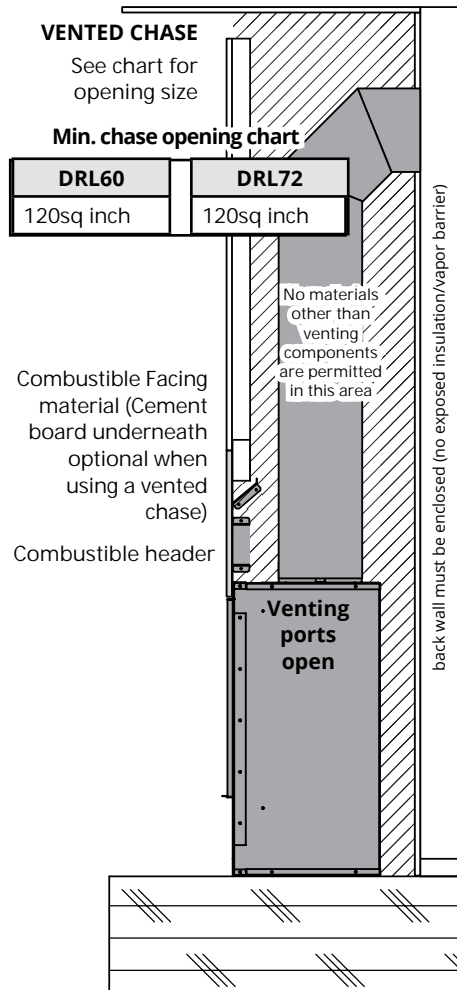
COMBUSTIBLE FACING

NO FANS

	DRL60	DRL72
16"	100°	100°
12"	105°	105°
8"	115°	115°
4"	120°	120°

### IMPORTANT

Temperatures are based off of the minimum enclosure size at a 3 hour burn time



### IMPORTANT

Leaving the venting ports open requires a minimum chase height of 6'

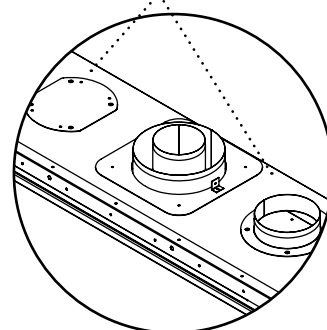
## ⚠ WARNING

Vented chase height must be no less than 6'

## ⚠ WARNING

Vented chase opening is mandatory when you open fireplace vent ports (all ports must be open).

Venting ports (shown on a DRL3613)



## ⚠ WARNING

Vented installations require that the chase inner wall must be enclosed (no exposed insulation/vapour barrier) Follow local codes



## Section 6: Finishing

### Finishing Around the Fireplace

#### Fireplace Facing

When sizing the finish material for your fireplace, it is important to remember the following: THE OPENING MUST NOT BE OBSTRUCTED IN ANY WAY - to do so restricts the air supply for the control compartments and heat exchanger it also prevents access for servicing controls.

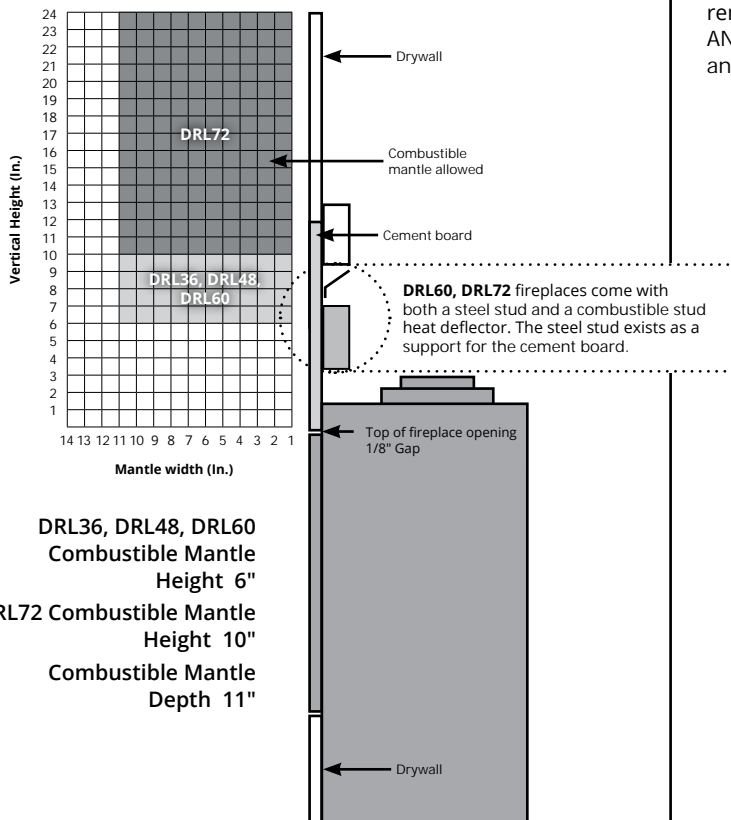


Figure 19. Combustible mantles and facings. (Not to scale)

### WARNING

Fireplaces cannot be recessed into a wall cavity.

### CAUTION

We recommend careful consideration be given to the effects of elevated mantel temperatures which may be in excess of product design, for example: candles, plastic or pictures. This can cause melting, deformation, discoloration or premature failure of T.V. radio, and other electronic components.

### Finishing when using a Cool Wall Advantage kit or vented chase (Cool Wall Release)

#### Fireplace Facing

When sizing the finish material for your fireplace, it is important to remember the following: THE OPENING MUST NOT BE OBSTRUCTED IN ANY WAY - to do so restricts the air supply for the control compartments and heat exchanger it also prevents access for servicing controls.

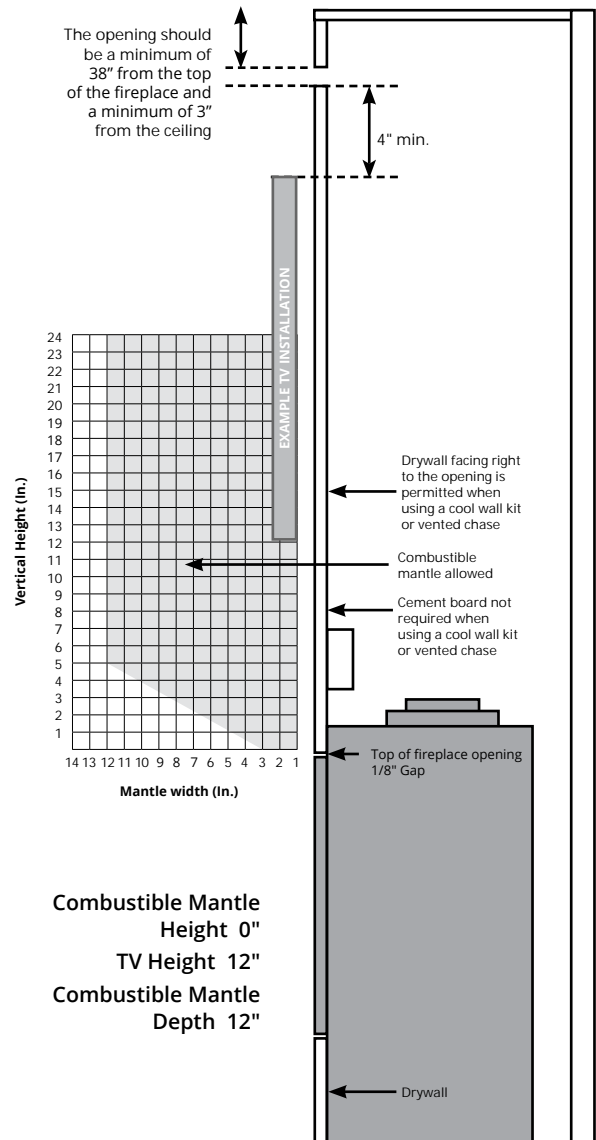


Figure 19. Combustible mantles and facings. (Not to scale)

## NOTICE

Cement board is not needed when the chase is vented, drywall can be used to finish up to the fireplace opening.

## Chase venting (optional)

An opening in the finished enclosure can keep temperatures within a safe level for a TV installation. This can be achieved in a variety of ways such as the few shown below.

### Min. chase opening chart

<b>DRL36</b>	<b>DRL48</b>
70sq inch	100sq inch
<b>DRL60</b>	<b>DRL72</b>
120sq inch	120sq inch

More opening will further reduce surface temperatures

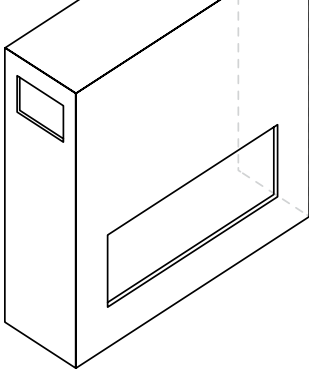


Figure 19.b Side chase venting on both sides of enclosure

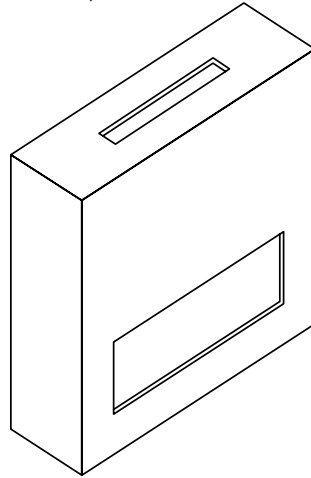


Figure 19.c Top chase venting on top of enclosure

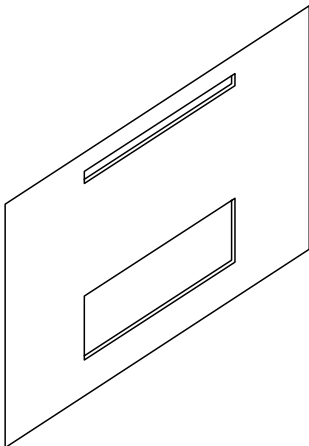


Figure 19.d Front chase venting on front of enclosure

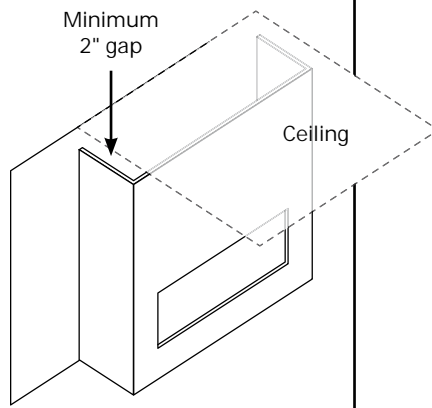


Figure 19.e Open top chase venting on top of enclosure

The opening of the chase cannot be lower than 3" from the top of the enclosure to prevent heat from pocketing at the top of the enclosure. A minimum of 2" from the top of a chase vent to the ceiling is needed. Any combination of the above examples is an acceptable chase vent providing they add up to the required opening.

## Sidewall clearances

Side wall clearances are 4". Combustible surrounds may be installed with 4" clearance to the side of the fireplace as shown.

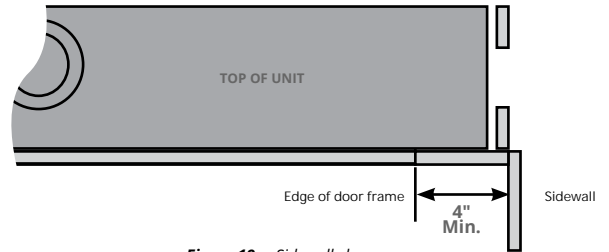


Figure 19.c Sidewall clearances

## NOTICE

4" clearance in sidewall drawing does not apply to recession, unit cannot be recessed into a wall.

## Cement Board Install

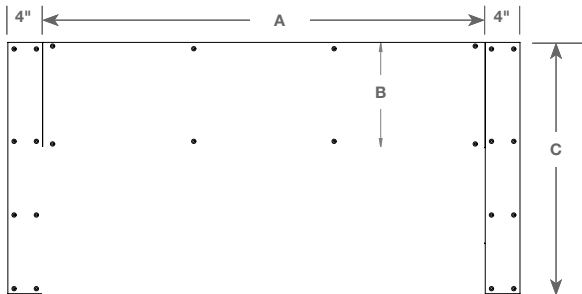
Install the supplied non-combustible cement board to overlap the new horizontal & vertical 2 x 4's, place the non-combustible wall board above the fireplace throat, allowing 1/8" clearance from the rim above the fireplace opening. Pre-drill the board with 1/8" drill bit and secure to framing with nails, use flat head sheet metal screws to fasten the board to the metal header.

### SINGLE SIDED

Top (Qty 1)

Sides (Qty 2)

Cut standard Gyproc / Drywall board to complete the installation of the surround. Fit the edge of the board to the rim around the fireplace opening. Fasten the board in place using standard drywall screws.

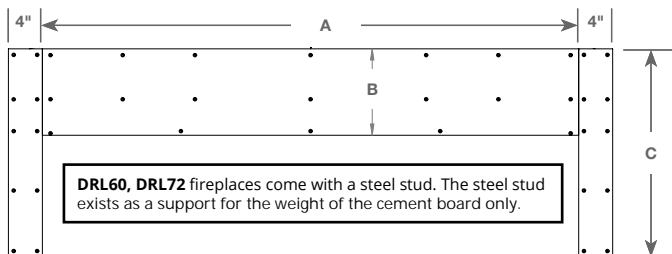


DRL3613 DIMENSIONS

A	B	C
38 <sup>7</sup> / <sub>16</sub>	12	28 <sup>11</sup> / <sub>16</sub>

DRL4813 DIMENSIONS

A	B	C
50 <sup>7</sup> / <sub>16</sub>	12	28 <sup>11</sup> / <sub>16</sub>



DRL60, DRL72 fireplaces come with a steel stud. The steel stud exists as a support for the weight of the cement board only.

DRL6013 DIMENSIONS

A	B	C
62 <sup>7</sup> / <sub>16</sub>	16	32 <sup>11</sup> / <sub>16</sub>

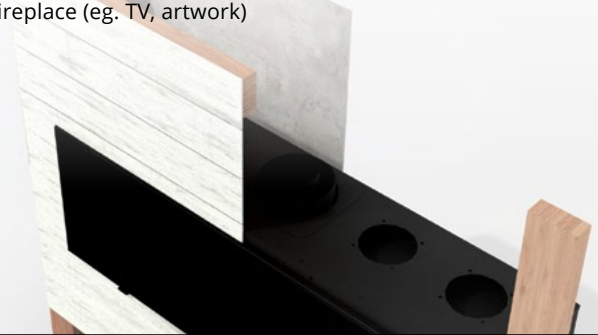
DRL7213 DIMENSIONS

A	B	C
83 <sup>7</sup> / <sub>16</sub>	12	28 <sup>11</sup> / <sub>16</sub>

Figure 28. Supplied non-combustible cement board dimensions

## WARNING

The use of the fans when the Cool Wall Release OR Cool Wall Advantage system is used will result in significantly higher wall temperatures. These higher temperatures can negatively impact the finished wall surface, art, and or mounted TV. Therefore, Montigo **STRONGLY RECOMMENDS** that fans be disconnected when the Cool Wall Release OR Cool Wall Advantage system is used. This can be done through the remote control (See instructions) or by disconnecting the fan harness. Montigo is **NOT** responsible for damage to facing materials, and items placed above the fireplace (eg. TV, artwork)



### FULL LOAD VERSIONS:

#### Disable fans via remote

1. Turn the fireplace on, turn fans to off setting.
2. Partially take out one battery.
3. Hold both the Mode AND On/Off button.
4. Insert battery (while still holding the two buttons), then release Mode button (keep On/Off pressed).
5. Cycle through modes with Mode button until you get to fan setting, with Down button set fan function from Set to Clr.
6. Release On/Off button, turn the fireplace on. There will be now be no fan mode on remote.

### BASIC VERSIONS (IF OPTIONAL FAN KIT ALREADY INSTALLED):

#### Disable fans via harness

1. Unplug the fan harness that connects power to the speed control.

